

0CNP3-M18100EN

Directions for the Parts Catalog.

1. The parts stipulated in this Parts Catalog are not necessarily standard equipped parts.
2. Parts may change without prior notice.
3. The following is an example of the Parts Catalog format.

REF.	LEV.	PARTS NO.	DESCRIPTION	Q'TY						I	R
				(A)	(B)	(C)	(D)	(E)	(F)		
1	1	729595-51390	FUEL INJECTION PUMP	1	1	1	1	1			1
1-1	1	729595-51391	FUEL INJECTION PUMP	1	1	1	1	1		N	1
		(A=E00185) (B=E00200)									
3	2	26022-060162	SCREW M 6X 16	9	9	9	9	9			
3-1	2	26022-060162	SCREW M 6X 16	4	4	4	4	4		K	
		(A=E00156) (B=E00156) (C=E00156) (D=E00156) (E=E00156)									
4	2	129470-51040	CAMSHAFT	1	1	1	1	1			
5	2	122710-51050	BEARING, ROLLER	2	2	2	2	2			
6	2	129470-51060	RETAINER	1	1	1	1	1			

Remarks
(1) BOOST COMPEMSATOR TYPE. OPTIONAL PART, TO E00155,(4JH-DT, 4JH-DTZ

① Ref. No.

The Ref. No. listed may not be in accordance with the illustration Ref. No.

(Ex.) Illustration No.

List Ref No.

1

1

(Before change) → 1-1 (After change)

For interchangeable symbols N, R and K, illustrations for new parts may be abbreviated.

② Lev. (Level)

Level indication

The numbers below indicate the level of relativity towards the main part.

1 ----- Main parts (Assembly parts)

2 ----- Sub component included in " 1 ".

3 ----- Sub component included in " 2 ".

Note) Parts that are not for sale are partially illustrated but not listed.

③ Interchangeability Mark

When a part change takes place, one of the following interchangeability symbols is indicated beside the part.

Symbol	Interchangeability	Contents note
N	Old $\begin{matrix} \leftarrow \text{Yes} \\ \text{No} \rightarrow \end{matrix}$ New	New Part is interchangeable for Old Part but Old Part is not interchangeable for New Part.
Q	Old $\begin{matrix} \leftarrow \text{No} \\ \text{Yes} \rightarrow \end{matrix}$ New	New Part is not interchangeable for Old Part but Old Part is interchangeable for New Part.
R	Old $\begin{matrix} \leftarrow \text{Yes} \\ \text{Yes} \rightarrow \end{matrix}$ New	New/ Old Parts are both interchangeable.
S	Old $\begin{matrix} \leftarrow \text{No} \\ \text{No} \rightarrow \end{matrix}$ New	New/ Old Parts are both not interchangeable.
W		Part newly added.
Z		Part discontinued.
F		Not interchangeable by a single part but interchangeable together with related parts.
K		Changes only for used parts quantities.

④ Effective Machine No.

When a part changes, the effective Machine No. will be indicated in the (A)-(F) column.

Product Symbol	Product No.	Product Symbol	Product No.
C	Clutch No. Compressor No.	F	Machine No. (Agricultural Equip.)
D	Drive No.	M	Machine No.
E	Engine No.		

Note 1) A date may follow the symbol. (Ex.) 1996.01

Note 2) " XXXXX " and " ZZZZZ " are for parts that could not be predicted or for engine models that could not be identified.

Note 3) (A=E00185) is the E (Engine Serial Number) for the column (A) model (in this case 4JH-DT) after the parts design change.

⑤ Remarks Mark

Figures or alphabets (symbols) are entered in the remarks column.

The comments (remarks) on parts that are indicated at the bottom of the illustration are the same symbols as those stated above.

Contents

Fig. No. Fig. Name

PULLY & TENSION SECTION

1. TENSION ARM
2. PULLEY

FRAME SECTION

3. BODY FRAME
4. BODY FRAME

TRAVELIN SECTION (1)

5. IDLER
6. TRACK ROLLER

CONTROL SECTION

7. HANDLE
8. TRAVEL CLUTCH LEVER
9. BRAKE LEVER
10. HST OPERATING LEVER
11. SIDE CLUTCH LEVER
20. DEADMAN LEVER(ADD.ITEM

PLATFORM CARRIER SECTION

12. HYDRAULIC PUMP
13. HYDRAULIC CYLINDER
14. PANTAGRAPH
15. PLATFORM CARRIER

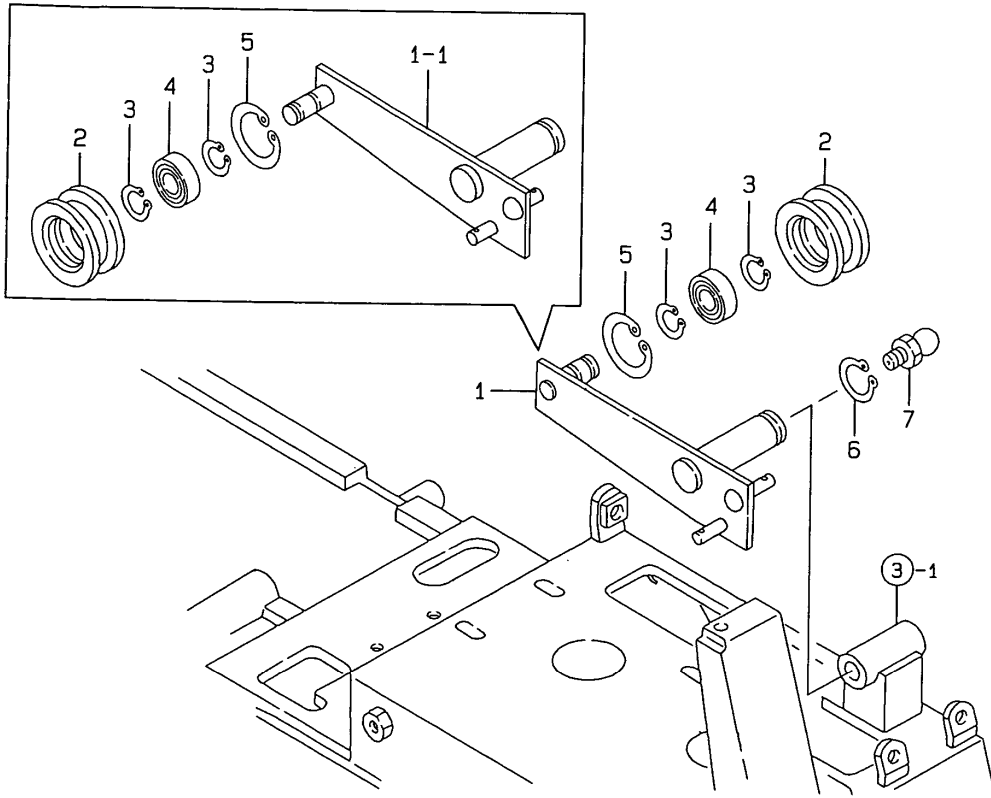
Fig. No. Fig. Name

16. PLATFORM CARRIER
17. DUMP CHANGE-OVER LEVER

TOOLS,ACCESSORIES & LABELS SECTION

18. LABEL
19. TOOLS & ACCESSORIES
21. LABEL(2(ADD.ITEM

Fig.1. TENSION ARM

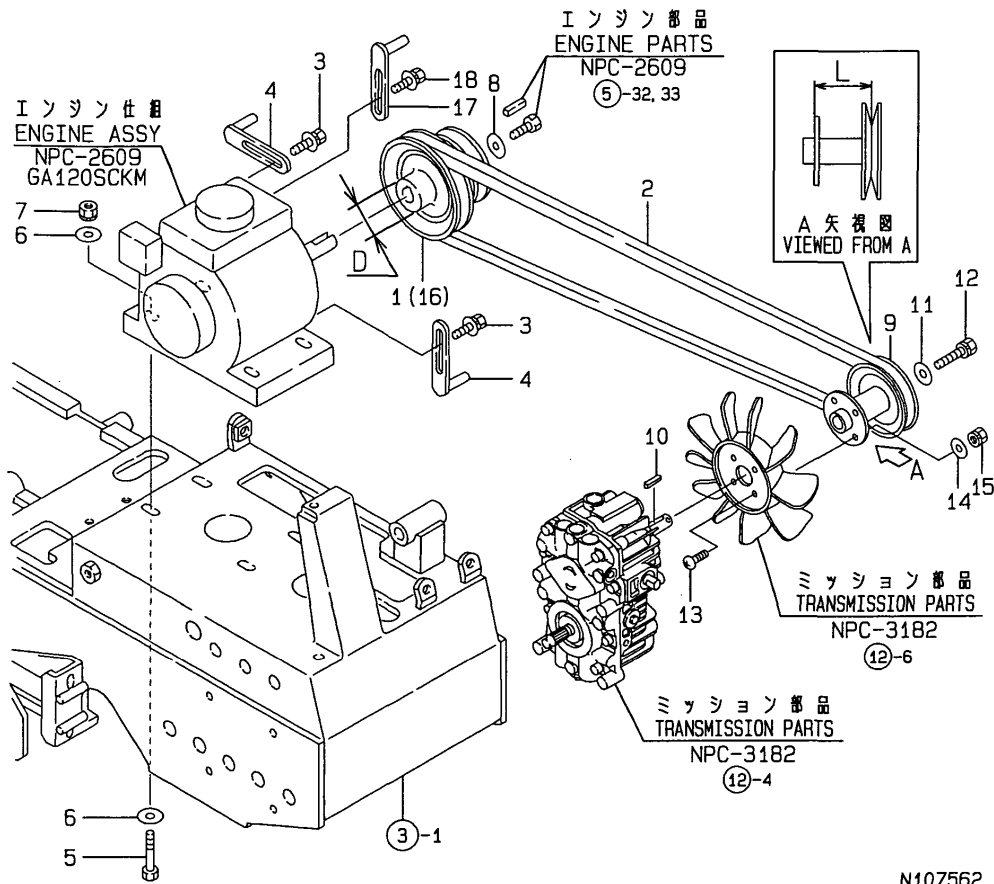


N107561

(A)=MCG95N-HST (D)=MCG95NLDEHST
 (B)=MCG95NLD-HST (E)=
 (C)=MCG95N-EHST (F)=

No.	Lev.	Parts No.	Description	Q'ty						I	R
				(A)	(B)	(C)	(D)	(E)	(F)		
1	1	1N3506-22000	ARM, TENSION	1	1						
1-1	1	1N3506-22001	ARM, TENSION	1	1	1	1				S
		(A=F010120) (B=F010120)									
2	1	1N1430-22070	ROLLER,TENSION	1	1	1	1				
3	1	22242-000150	RING, 15	2	2	2	2				
4	1	24104-062024	BEARING, BALL 6202UU	1	1	1	1				
5	1	22252-000350	RING, 35	1	1	1	1				
6	1	22242-000200	RING, 20	1	1	1	1				
7	1	24764-020000	NIPPLE, GREASE R1/8	1	1	1	1				

Fig.2. PULLEY



N107562

(A)=MCG95N-HST
(B)=MCG95NLD-HST
(C)=MCG95N-EHST

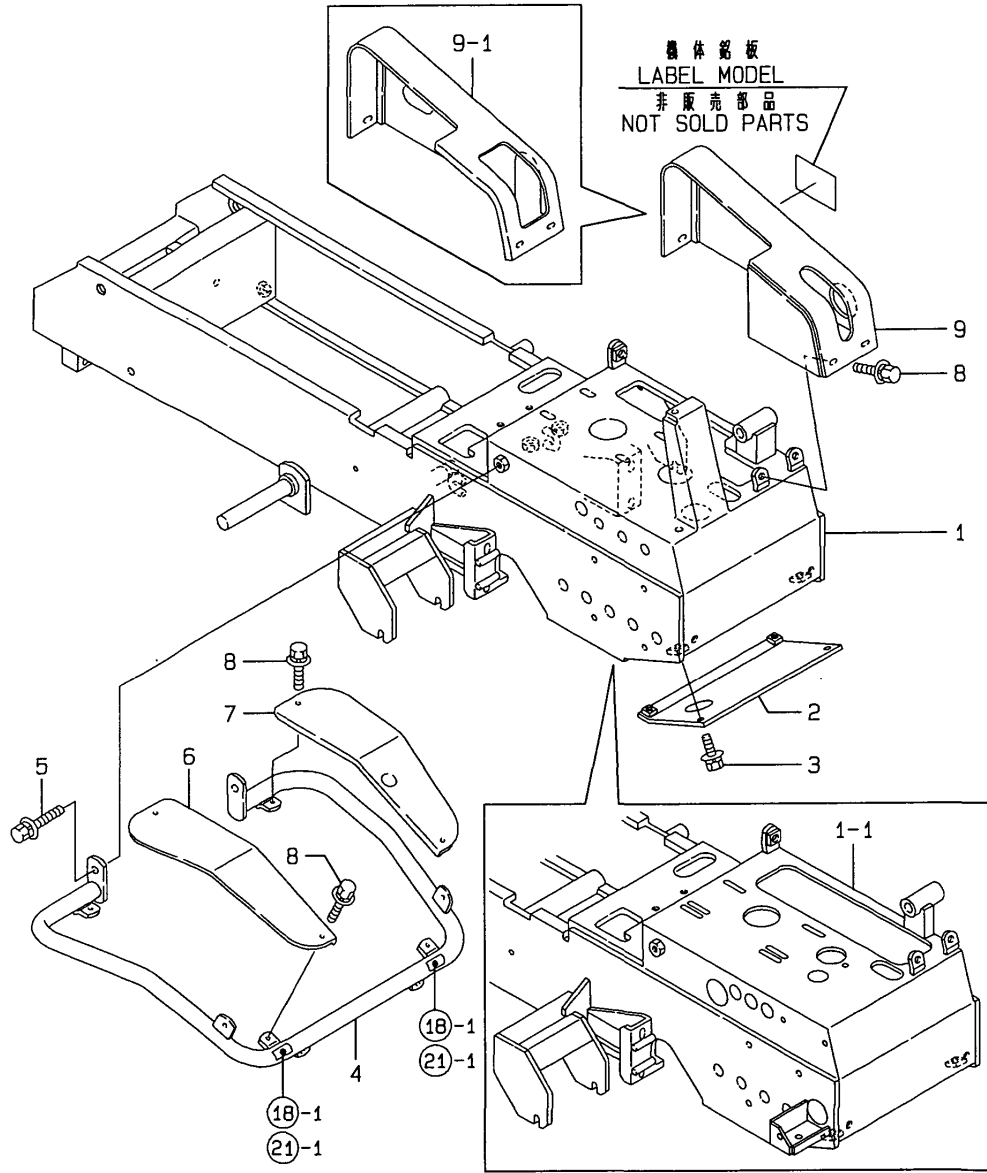
(D)=MCG95NLDEHST
(E)=
(F)=

No.	Lev.	Parts No.	Description	Qty						I	R
				(A)	(B)	(C)	(D)	(E)	(F)		
1	1	1N3506-21000	ENGINE PULLEY	1	1						1
1-1	1	1N3502-21000	PULLEY, ENGINE	1	1						S 1
(A=F010120) (B=F010120)											
2	1	25123-003401	V-BELT, B34H	1	1	1	1				
3	1	26018-080164	BOLT M 8X 16	2	2	2	2				
4	1	1N1291-22020	GUARD 40,BELT	2	2	2	2				
5	1	26116-080452	BOLT, M8X 45 PLATED	4	4	4	4				
6	1	22137-080000	WASHER, 8	8	8	8	8				
7	1	26051-080002	NUT, M8	4	4	4	4				
8	1	1N1185-42120	WASHER 9X25X3.2	1	1						
8-1	1	1N3502-21020	WASHER 22X8.5	1	1	1	1				S
(A=F010120) (B=F010120)											
9	1	1N3506-21010	HST PULLEY	1	1						2
9-1	1	1N3507-21010	HST PULLEY	1	1	1	1				S 2
(A=F010120) (B=F010120)											
10	1	22550-050250	KEY 5X25	1	1	1	1				
11	1	1N1210-16060	WASHER 11X35,RUBBER	1	1	1	1				
12	1	26016-060404	BOLT M 6X 40	1	1	1	1				
13	1	26557-060162	SCREW M 6X 16	4	4	4	4				
14	1	22137-060000	WASHER, 6	4	4	4	4				
15	1	26051-060002	NUT, M6	4	4	4	4				
16	1	1N3506-21040	PULLEY,ENGINE			1	1				
17	1	1N1291-22020	GUARD 40,BELT	1	1	1	1				W
(A=F010120) (B=F010120)											
18	1	26018-080164	BOLT M 8X 16	1	1	1	1				W
(A=F010120) (B=F010120)											

Remarks

- (1) D= REF.NO.1 40M/M, 1-1 33M/M.
- (2) L= REF.NO.9 52.5M/M, 9-1 33.5M/M.

Fig.3. BODY FRAME

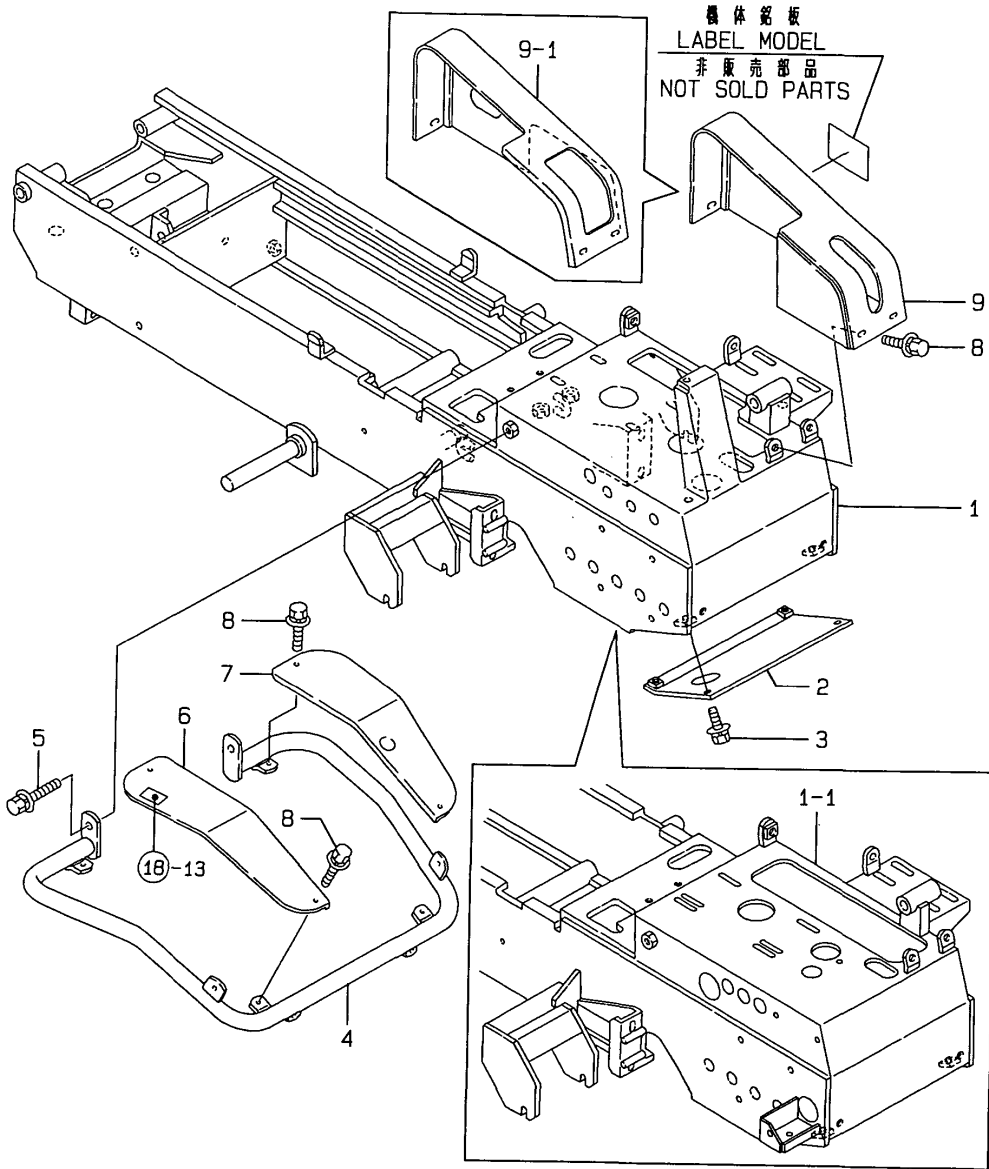


(A)=MCG95N-HST
(B)=MCG95NLD-HST
(C)=MCG95N-EHST

(D)=MCG95NLDEHST
(E)=
(F)=

No.	Lev.	Parts No.	Description	Qty						I	R	
				(A)	(B)	(C)	(D)	(E)	(F)			
1	1	1N3506-31320	FRAME,BODY	1								
1-1	1	1N3506-31321	FRAME,BODY	1		1						S
(A=F010120)												
2	1	1N3506-58140	COVER,UNDER	1		1						
3	1	26018-080204	BOLT M 8X 20	6		6						
4	1	1N3506-54000	STEP	1		1						
5	1	26018-100304	BOLT, M10X 30	2		2						
6	1	1N3506-54020	STEP (L)	1		1						
7	1	1N3506-54030	STEP (R)	1		1						
8	1	26018-060164	BOLT M 6X 16	7		7						
9	1	1N3506-58120	COVER,BELT	1								
9-1	1	1N3506-58210	COVER C,BELT	1		1						S
(A=F010120)												

Fig.4. BODY FRAME



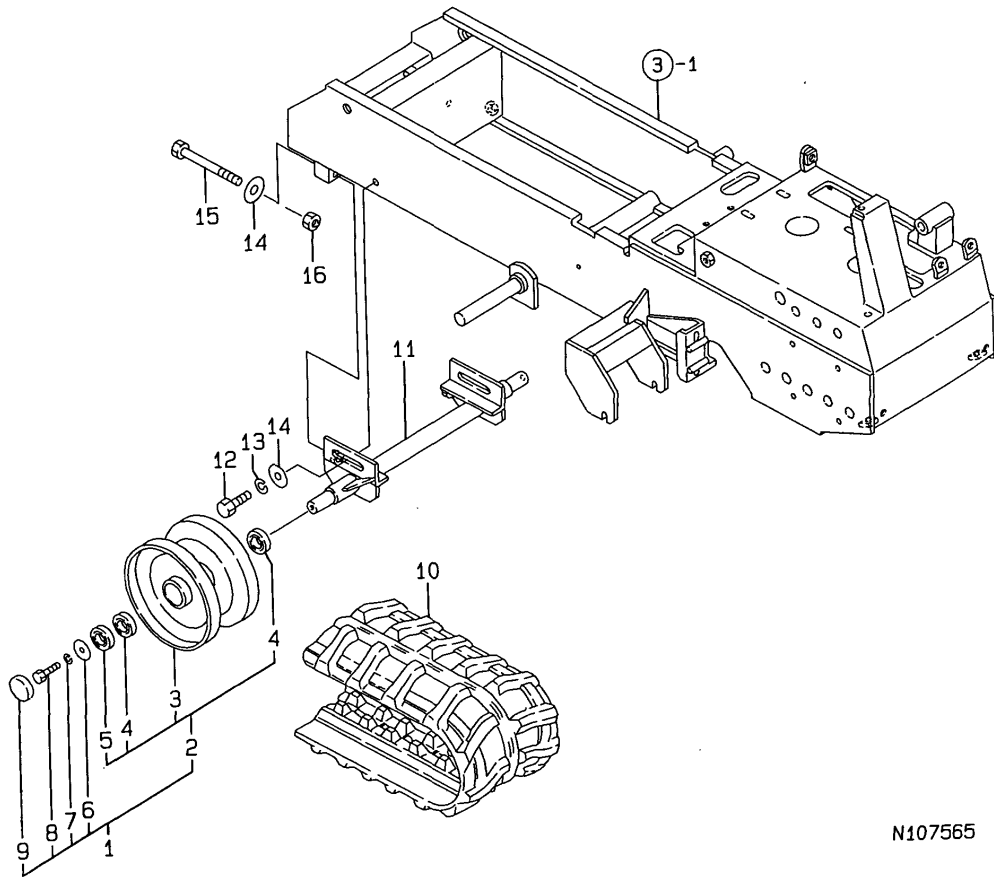
N107564

(A)=MCG95N-HST
(B)=MCG95NLD-HST
(C)=MCG95N-EHST

(D)=MCG95NLDEHST
(E)=
(F)=

No.	Lev.	Parts No.	Description	Q'ty						I	R	
				(A)	(B)	(C)	(D)	(E)	(F)			
1	1	1N3506-31000	FRAME,BODY		1							
1-1	1	1N3506-31001	FRAME,BODY		1		1					S
(B=F010120)												
2	1	1N3506-58140	COVER,UNDER		1		1					
3	1	26018-080204	BOLT M 8X 20		6		6					
4	1	1N3506-54000	STEP		1		1					
5	1	26018-100304	BOLT, M10X 30		2		2					
6	1	1N3506-54020	STEP (L)		1		1					
7	1	1N3506-54030	STEP (R)		1		1					
8	1	26018-060164	BOLT M 6X 16		7		7					
9	1	1N3506-58070	COVER,BELT		1							
9-1	1	1N3506-58180	BELT COVER		1		1					S
(B=F010120)												

Fig.5. IDLER



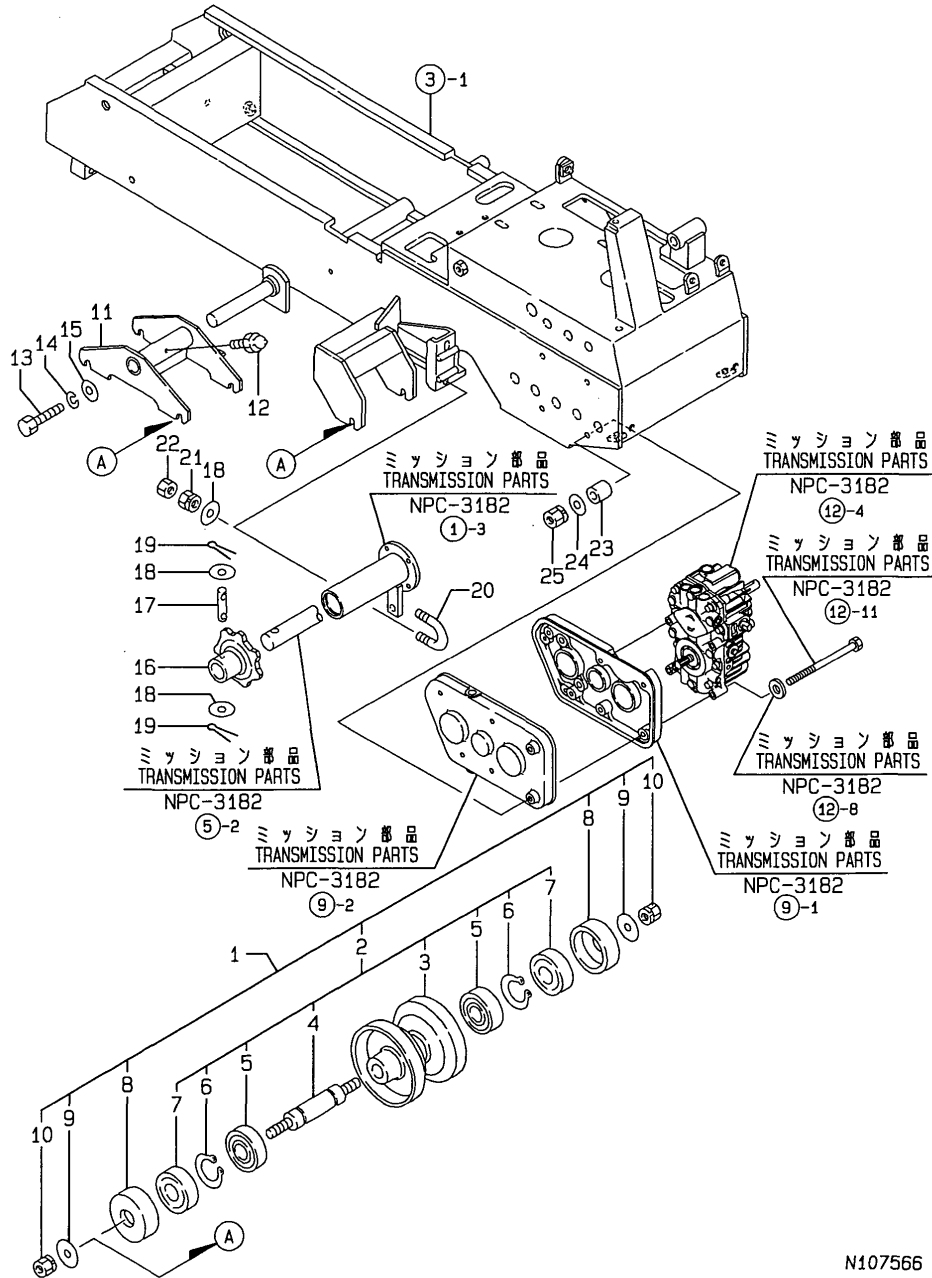
N107565

(A)=MCG95N-HST
(B)=MCG95NLD-HST
(C)=MCG95N-EHST

(D)=MCG95NLDEHST
(E)=
(F)=

No.	Lev.	Parts No.	Description	Q'ty						I	R
				(A)	(B)	(C)	(D)	(E)	(F)		
1	1	7N3506-35010	FLOAT RING SET	2	2	2	2				
2	2	7N3506-35000	FLOAT RING ASSY.	2	2	2	2				
3	3	1N3506-35030	GUIDE WHEEL	2	2	2	2				
4	3	24101-060054	BEARING, BALL 6005	4	4	4	4				
5	3	24421-304708	SEAL, OIL TC304708	2	2	2	2				
6	2	1N1210-16060	WASHER 11X35,RUBBER	2	2	2	2				
7	2	22217-100000	WASHER, SPRING 10	2	2	2	2				
8	2	26117-100250	BOLT M10X 25 PLATED	2	2	2	2				
9	2	1N3506-35020	SEAL CAP	2	2	2	2				
10	1	1N1296-37000	CRAWLER 180X60X37,RB	2	2						
10-1	1	1N3506-37000	CRAWLER 180X60X37,RB	2	2	2	2				R
		(A=F010120) (B=F010120)									
11	1	1N3506-33030	SHAFT, IDLER	1	1	1	1				
12	1	26117-120304	BOLT M12X 30 PLATED	2	2	2	2				
13	1	22217-120000	WASHER, SPRING 12	2	2	2	2				
14	1	22137-120000	WASHER, 12	4	4	4	4				
15	1	26117-121304	BOLT, M12X130 PLATED	2	2	2	2				
16	1	26757-120002	NUT, LOCK M12	2	2	2	2				

Fig.6. TRACK ROLLER



N107566

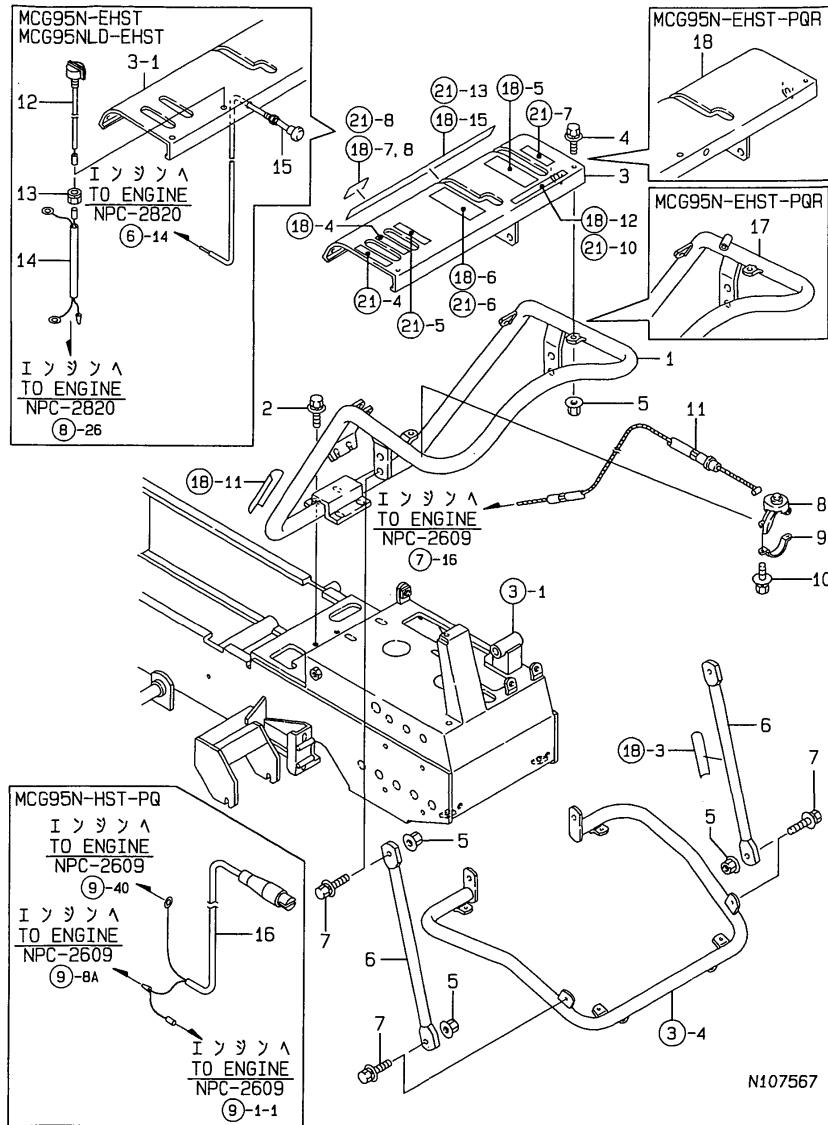
(A)=MCG95N-HST
(B)=MCG95NLD-HST
(C)=MCG95N-EHST

(D)=MCG95NLDHST
(E)=
(F)=

No.	Lev.	Parts No.	Description	Qty						I	R
				(A)	(B)	(C)	(D)	(E)	(F)		
1	1	7N3501-36010	LWR.TRANK ROLLER SET	6	6	6	6				
2	2	7N3501-36000	LWR.TRANK ROLLER ASY	6	6	6	6				
3	3	1N3501-36000	SEE-36010	6	6	6	6				
4	3	1N3501-35020	SHAFT	6	6	6	6				
5	3	24101-060024	BEARING, BALL 6002	12	12	12	12				
6	3	22242-000170	RING, 17	12	12	12	12				
7	3	24421-153206	SEAL, OIL TC153206	12	12	12	12				
8	2	1N1091-36000	COVER,OIL SEAL	12	12	12	12				
9	2	22137-120000	WASHER, 12	12	12	12	12				
10	2	26051-120002	NUT, M12	12	12	12	12				
11	1	1N3506-33000	EQUALIZER	2	2	2	2				
12	1	24761-010000	NIPPLE, GREASE M6F	2	2	2	2				
13	1	26117-200604	BOLT 20X60	2	2	2	2				
14	1	22217-200000	WASHER, SPRING 20	2	2	2	2				
15	1	22137-200000	WASHER, 20	2	2	2	2				
16	1	1N1291-35000	SPROCKET	2	2	2	2				
17	1	1N1296-35000	PIN,SPROCKET	2	2	2	2				
18	1	22137-100000	WASHER, 10	8	8	8	8				
19	1	22417-250250	PIN, COTTER 2.5X25	4	4	4	4				
20	1	1N3501-35030	U-BOLT	2	2	2	2				
21	1	26051-100002	NUT, M10	4	4	4	4				
22	1	26757-100002	NUT, LOCK M10	4	4	4	4				
23	1	1N3506-31430	COLLAR	2	2	2	2				
24	1	22137-080000	WASHER, 8	2	2	2	2				
25	1	26051-080002	NUT, M8	2	2	2	2				

Fig.7. HANDLE

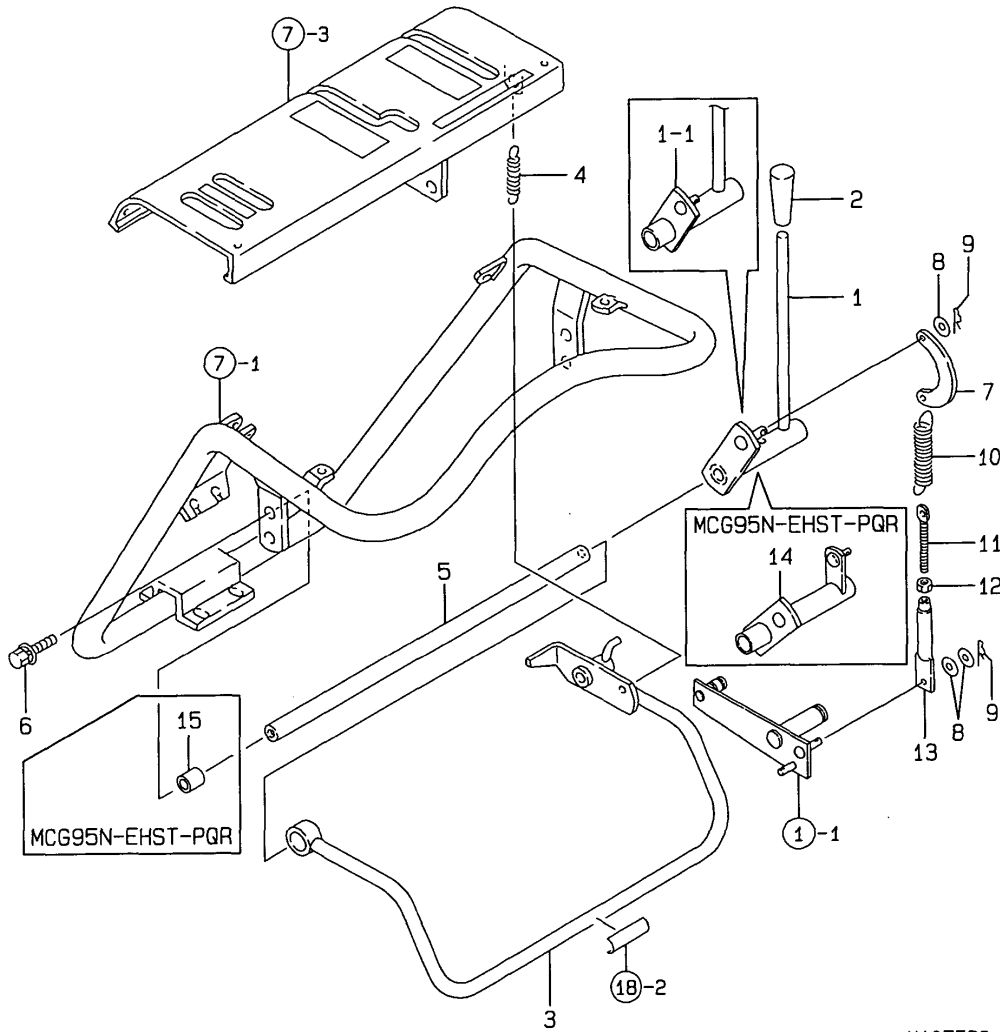
(A)=MCG95N-HST (D)=MCG95NLDEHST
 (B)=MCG95NLD-HST (E)=
 (C)=MCG95N-EHST (F)=



No.	Lev.	Parts No.	Description	Q'ty						I	R
				(A)	(B)	(C)	(D)	(E)	(F)		
1	1	1N3506-58000	HANDLE	1	1	1	1				
2	1	26018-100254	BOLT M10X 25	4	4	4	4				
3	1	1N3506-58040	COVER,CONTROL	1	1						S
3-1	1	1N3507-58000 (A=F010120)	COVER,CONTROL	1	1	1	1				
4	1	26018-080164 (B=F010120)	BOLT M 8X 16	4	4	4	4				
5	1	26367-080002	NUT, M8	8	8	8	8				
6	1	1N3506-58110	PIPE	2	2	2	2				
7	1	26018-080204	BOLT M 8X 20	4	4	4	4				
8	1	1N1277-42320	LEVER B,CLUTCH COMB.	1	1	1	1				
9	1	1N1277-42300	LEVER B,CLUTCH	1	1	1	1				
10	1	26014-060259	BOLT, M6X 25	2	2	2	2				
11	1	1N1368-51000	THROTTLE CABLE	1	1	1	1				
12	1	1A1470-40900	SWITCH,STOP					1	1		
13	1	26051-080002	NUT, M8					1	1		
14	1	1N3501-52000	WIRE, LEAD					1	1		
15	1	1N1277-51010	WIRE,CHOKE					1	1		
16	1	1N1291-51031	SWITCH,SAFETY	1							1
17	1	1N3506-58160	HANDLE					1			2
18	1	1N3506-58230	COVER,CONTROL					1			2

Remarks
 (1)(EXPORT)EXCLUSIVE PART FOR
 MCG95N-HST-PQ
 (2)(EXPORT)EXCLUSIVE PART FOR
 MCG95N-EHST-PQR

Fig.8. TRAVEL CLUTCH LEVER



N107568

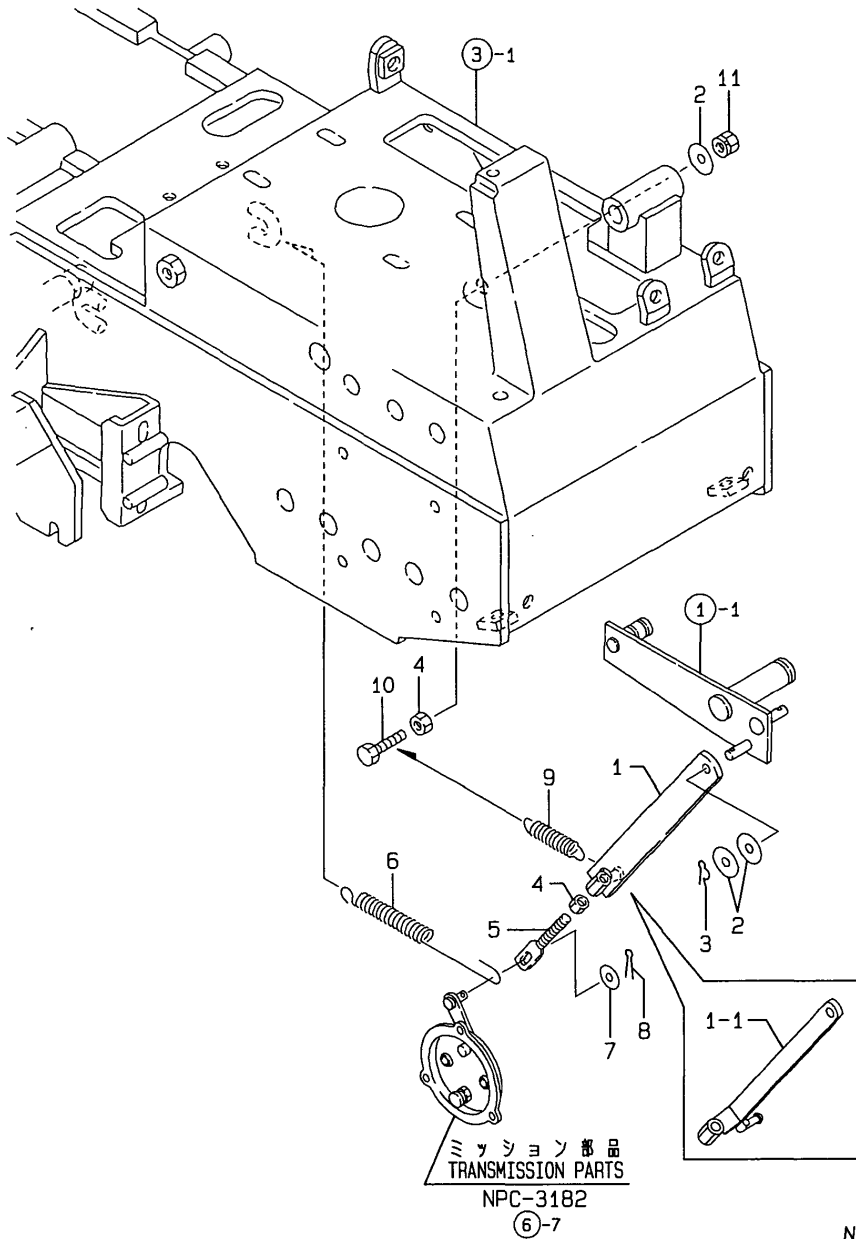
(A)=MCG95N-HST
(B)=MCG95NLD-HST
(C)=MCG95N-EHST

(D)=MCG95NLDEHST
(E)=
(F)=

No.	Lev.	Parts No.	Description	Q'ty						I	R
				(A)	(B)	(C)	(D)	(E)	(F)		
1	1	1N3506-42000	LEVER,CLUTCH	1	1						
1-1	1	1N3506-42150	LEVER,CLUTCH	1	1	1	1				S
		(A=F010120) (B=F010120)									
2	1	1N1101-44030	GRIP 10,BRAKE RED	1	1	1	1				
3	1	1N3506-42010	SAFETY LEVER	1	1	1	1				
4	1	1N1151-53000	SPRING 12.5X54,TENS.	1	1	1	1				
5	1	1N1366-42170	SHAFT B,FULCRUM	1	1	1	1				
6	1	26018-100254	BOLT M10X 25	2	2	2	2				
7	1	1N1240-42050	LINK,CRESCENT	1	1	1	1				
8	1	22137-080000	WASHER, 8	3	3	3	3				
9	1	22360-080000	SNAP PIN 8	2	2	2	2				
10	1	1N1210-53030	SPRING 21.5X78,TENS.	1	1	1	1				
11	1	1N1360-22090	SCREW 8X94,ADJUST	1	1	1	1				
12	1	26757-080002	NUT, LOCK M8	1	1	1	1				
13	1	1N1480-42170	ROD	1	1	1	1				
14	1	1N3506-42100	LINK,CLUTCH								1
15	1	1N1366-42080	COLLAR								1

Remarks
(1)(EXPORT)EXCLUSIVE PART FOR
MCG95N-EHST-PQR

Fig.9. BRAKE LEVER

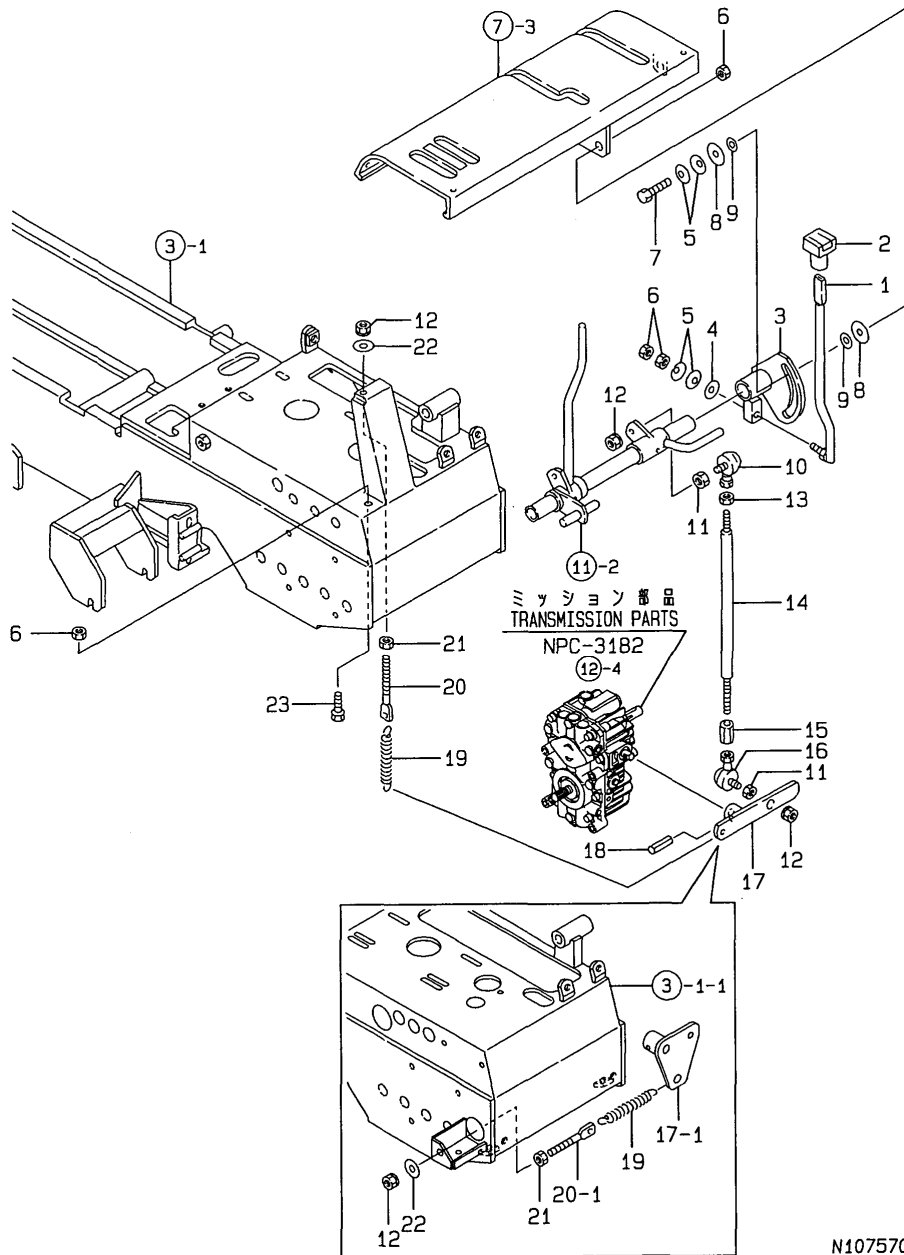


N107569

(A)=MCG95N-HST
(B)=MCG95NLD-HST
(C)=MCG95N-EHST
(D)=MCG95NLDEHST
(E)=
(F)=

No.	Lev.	Parts No.	Description	Q'ty						I	R
				(A)	(B)	(C)	(D)	(E)	(F)		
1	1	1N3506-42040	ROD,BRAKE	1	1						
1-1	1	1N3506-42130	ROD,BRAKE	1	1	1	1				S
(A=F010120) (B=F010120)											
2	1	22137-080000	WASHER, 8	3	3	3	3				
3	1	22360-080000	SNAP PIN 8	1	1	1	1				
4	1	26757-080002	NUT, LOCK M8	2	2	2	2				
5	1	1N3502-42140	BODT,ADJUST.	1	1	1	1				
6	1	1N3506-42070	BRAKE SPRING16.5X170	1	1	1	1				
7	1	22137-060000	WASHER, 6	1	1	1	1				
8	1	22417-200160	PIN, COTTER 2.0X16	1	1	1	1				
9	1	1N1190-45000	SPRING 11X72.5,TENS.	1	1						
9-1	1	1N1210-53000	SPRING 18X108	1	1	1	1				S
(A=F010120) (B=F010120)											
10	1	26116-080452	BOLT, M8X 45 PLATED	1	1	1	1				
11	1	26051-080002	NUT, M8	1	1	1	1				

Fig.10. HST OPERATING LEVER

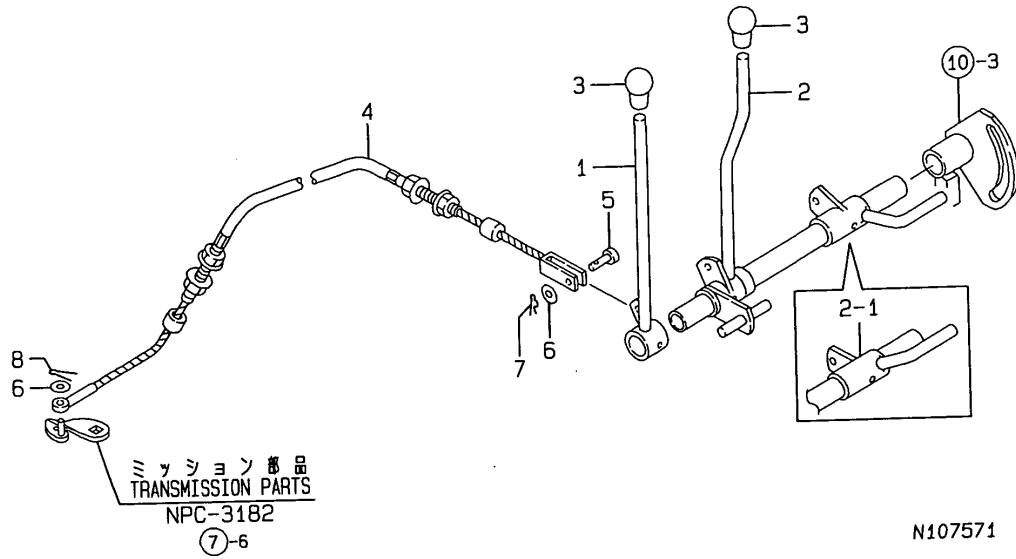


(A)=MCG95N-HST
(B)=MCG95NLD-HST
(C)=MCG95N-EHST

(D)=MCG95NLD-EHST
(E)=
(F)=

No.	Lev.	Parts No.	Description	Qty						I	R
				(A)	(B)	(C)	(D)	(E)	(F)		
1	1	1N3506-41000	LEVER,CHANGE	1	1	1	1				
2	1	1N3506-41160	CHANGE GRIP	1	1	1	1				
3	1	1N3506-41020	SPEED CHANGE LINK A	1	1	1	1				
4	1	22137-100000	WASHER, 10	1	1	1	1				
5	1	1N3506-41170	DISK SPRING WASHER10	4	4	4	4				
6	1	26757-100002	NUT, LOCK M10	4	4	4	4				
7	1	26117-100404	BOLT, M10X 40 PLATED	1	1	1	1				
8	1	1N3506-41140	WASHER	2	2	2	2				
9	1	1N3506-41150	FRICTION WASHER	2	2	2	2				
10	1	1N3506-41180	LINK BALL L	1	1	1	1				
11	1	26717-080002	NUT, M8	2	2	2	2				
12	1	26051-080002	NUT, M8	3	3	3	3				
13	1	1N3506-41100	M8X6.5 LOCKNUT LEFT-	1	1	1	1				
14	1	1N3506-41090	ROD	1	1	1	1				
15	1	1N3506-41190	NUT M8X30 PLATED	1	1	1	1				
16	1	1N1142-45080	END 8,ROD	1	1	1	1				
17	1	1N3506-41110	ARM, CHANGE	1	1						
17-1	1	1N3506-41210	ARM, CHANGE	1	1	1	1				S
		(A=F010120)	(B=F010120)								
18	1	22351-050030	PIN, SPRING 5.0X30	1	1	1	1				
19	1	1N3506-41200	SPRING	1	1	1	1				
20	1	1N1360-22090	SCREW 8X94,ADJUST	1	1						
20-1	1	1N3506-42160	SCREW M8X60,ADJUST	1	1	1	1				S
		(A=F010120)	(B=F010120)								
21	1	26757-080002	NUT, LOCK M8	1	1	1	1				
22	1	22137-080000	WASHER, 8	1	1	1	1				
23	1	26117-100304	BOLT M10X 30 PLATED	1	1	1	1				

Fig.11. SIDE CLUTCH LEVER



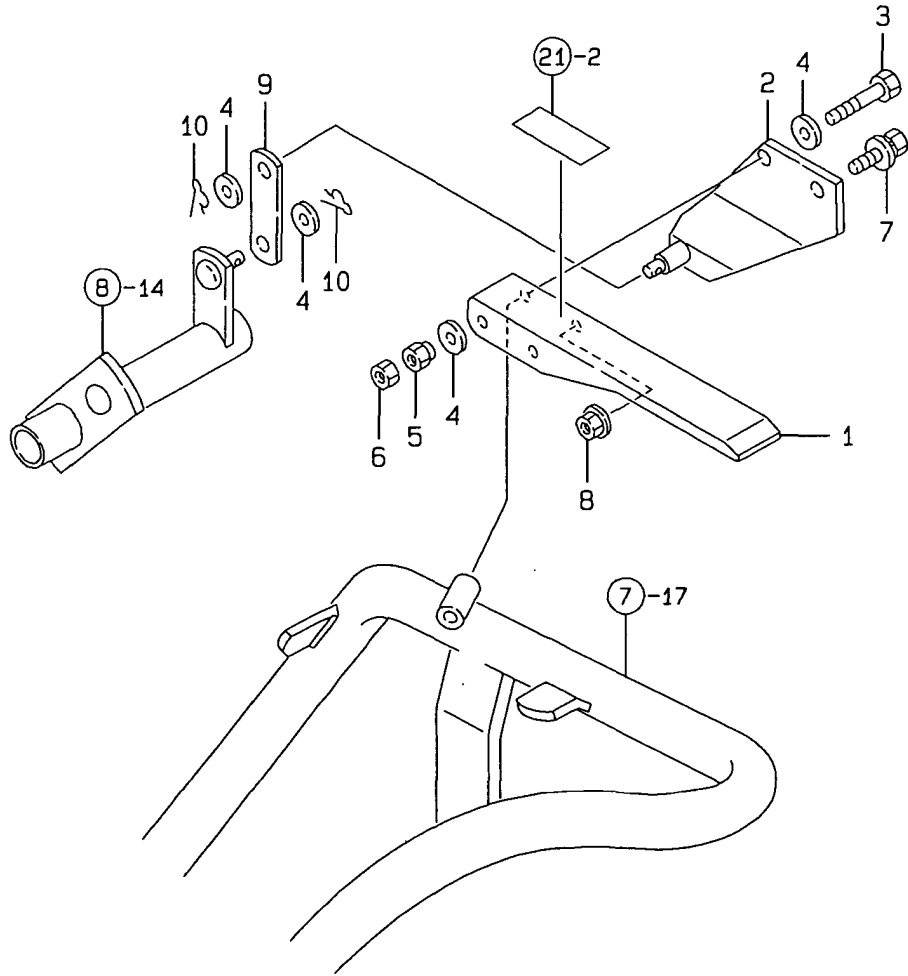
N107571

(A)=MCG95N-HST
(B)=MCG95NLD-HST
(C)=MCG95N-EHST

(D)=MCG95NLDEHST
(E)=
(F)=

No.	Lev.	Parts No.	Description	Qty						I	R
				(A)	(B)	(C)	(D)	(E)	(F)		
1	1	1N3506-44010	LEVER (L), CLUTCH	1	1	1	1				
2	1	1N3506-41040	LINK B,SUB-CHANGE	1	1						
2-1	1	1N3507-41000	LINK,CHANGE	1	1	1	1				S
		(A=F010120)	(B=F010120)								
3	1	1N1101-44010	GRIP 10,CLUTCH	2	2	2	2				
4	1	1N3506-44000	SIDE CLUTCH WIRE	2	2	2	2				
5	1	1N1215-51000	PIN 6X16,RIVET	2	2	2	2				
6	1	22137-060000	WASHER, 6	4	4	4	4				
7	1	22360-060000	PIN, SNAP 6	2	2	2	2				
8	1	22417-200160	PIN, COTTER 2.0X16	2	2	2	2				

Fig.20. DEADMAN LEVER(ADD.ITEM)



N110822

(A)=MCG95N-HST
(B)=MCG95NLD-HST
(C)=MCG95N-EHST

(D)=MCG95NLDEHST
(E)=
(F)=

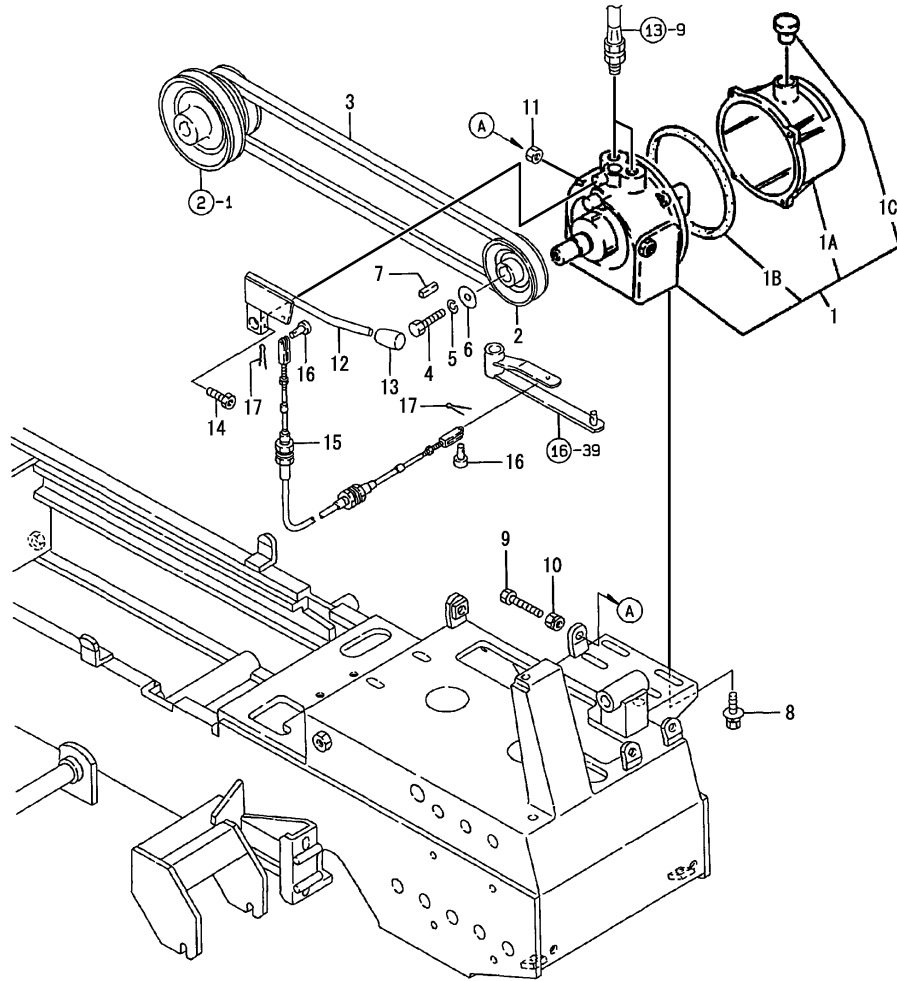
No.	Lev.	Parts No.	Description	Q'ty						I	R
				(A)	(B)	(C)	(D)	(E)	(F)		
1	1	1N1723-31360	LEVER,DEADMAN			1					1
2	1	1N3506-42080	CLUTCH LEVER			1					1
3	1	26117-080552	BOLT M 8X 55			1					1
4	1	22137-080000	WASHER, 8			4					1
5	1	26347-080002	NUT, M8			1					1
6	1	26757-080002	NUT, LOCK M8			1					1
7	1	26018-080204	BOLT M 8X 20			1					1
8	1	26367-080002	NUT, M8			1					1
9	1	1N3506-42120	ROD			1					1
10	1	22360-080000	SNAP PIN 8			2					1

Remarks
(1)(EXPORT)EXCLUSIVE PART FOR
MCG95N-EHST-PQR

Fig.12. HYDRAULIC PUMP

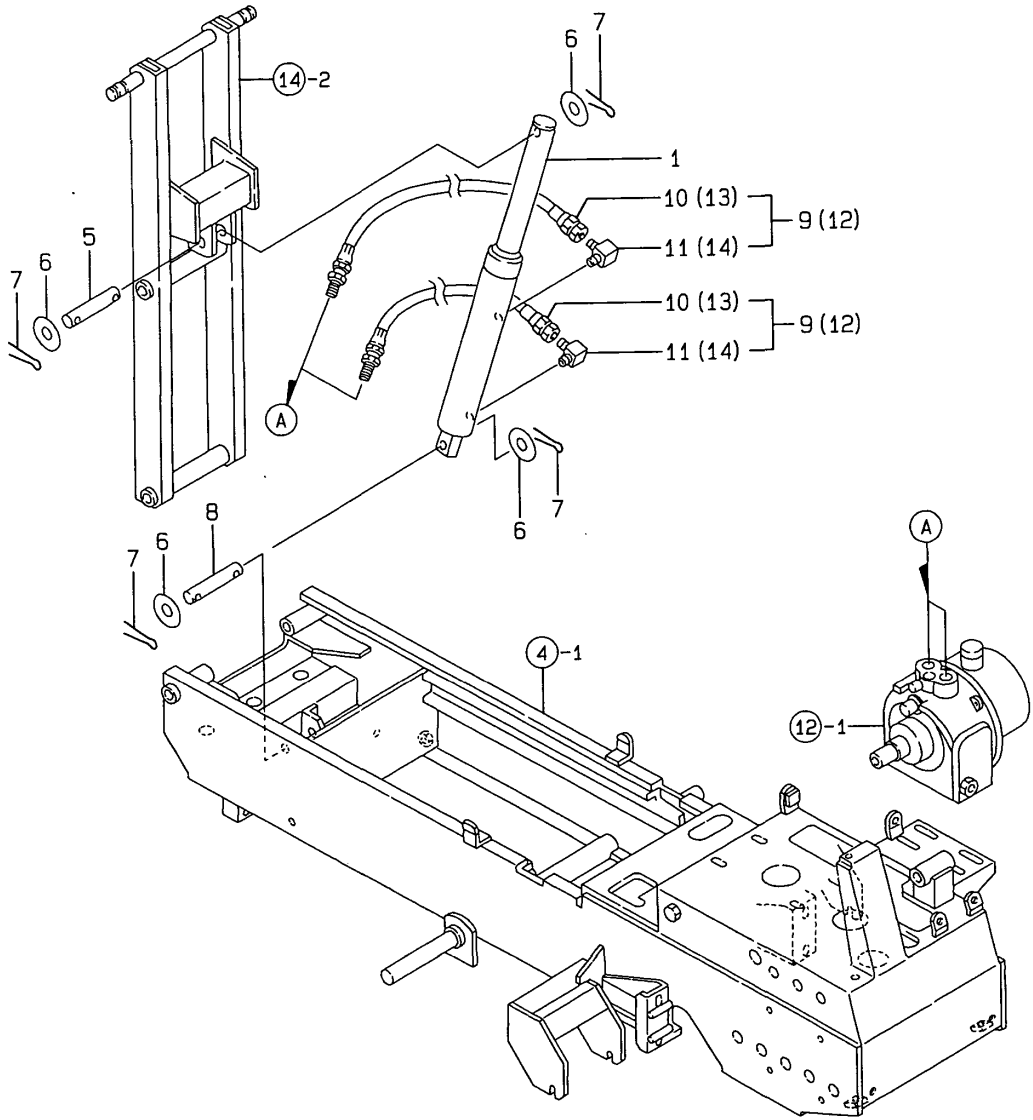
(A)=MCG95N-HST
 (B)=MCG95NLD-HST
 (C)=MCG95N-EHST

(D)=MCG95NLDEHST
 (E)=
 (F)=



No.	Lev.	Parts No.	Description	Q'ty						I	R
				(A)	(B)	(C)	(D)	(E)	(F)		
1	1	7N1277-61000	HYDRAULIC PUMP PPH1.		1		1				
1A	2	1N1277-61020	TANK, HYDRAULIC PUMP		1		1				
1B	2	24321-001200	O-RING, 1AG120.0		1		1				
1C	2	1N1277-61031	CAP, BREATHER		1		1				
2	1	1N1386-21000	V-PULLEY B3.5X1, PUMP		1		1				
3	1	25123-002201	V-BELT, B22H		1		1				
4	1	26117-100254	BOLT, M10X 25 PLATED		1		1				
5	1	22217-100000	WASHER, SPRING 10		1		1				
6	1	1N1210-16060	WASHER 11X35, RUBBER		1		1				
7	1	22550-050180	KEY, 5X 18		1		1				
8	1	26018-080204	BOLT M 8X 20		4		4				
9	1	26117-100704	BOLT M10X 70 PLATED		1		1				
10	1	26051-100002	NUT, M10		1		1				
11	1	26717-100002	NUT, M10		1		1				
12	1	1N3506-45000	LEVEER, PACKAGE		1		1				
13	1	1N1216-44010	GRIP		1		1				
14	1	1N1285-61000	BOLT M5X10, HSH.		1		1				
15	1	1N3505-45050	CABLE, PP		1		1				
16	1	1N1215-51000	PIN 6X16, RIVET		2		2				
17	1	22417-200160	PIN, COTTER 2.0X16		2		2				

Fig.13. HYDRAULIC CYLINDER



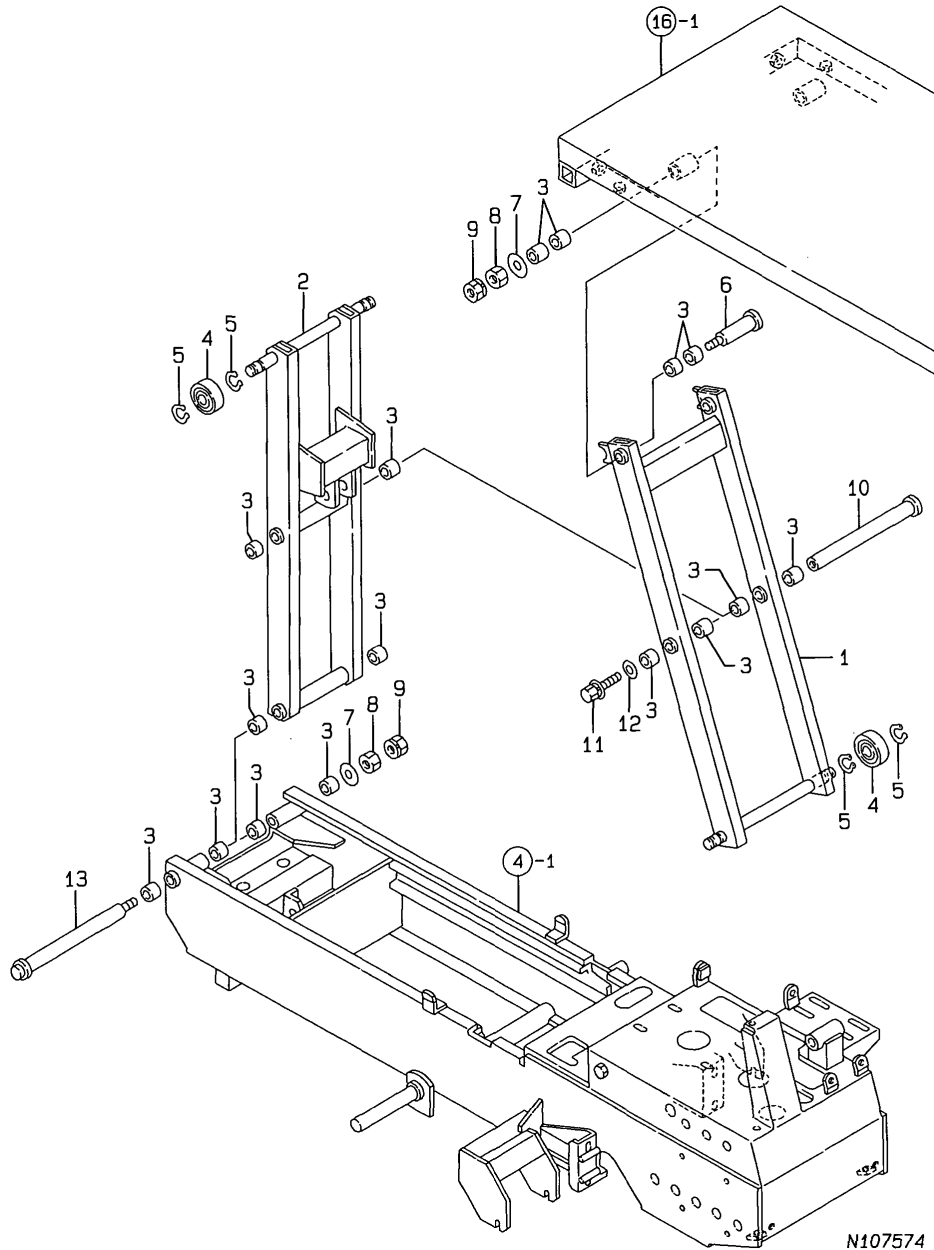
N107573

(A)=MCG95N-HST
(B)=MCG95NLD-HST
(C)=MCG95N-EHST

(D)=MCG95NLDEHST
(E)=
(F)=

No.	Lev.	Parts No.	Description	Q'ty						I	R
				(A)	(B)	(C)	(D)	(E)	(F)		
1	1	1E1107-61020	CYLINDER A		1		1				
5	1	1N1215-61001	PIN,CYLINDER MTG.		1		1				
6	1	22137-180000	WASHER, 18		4		4				
7	1	22417-400250	PIN, COTTER 4.0X25		4		4				
8	1	1N1277-61000	PIN,CYLINDER MTG.		1		1				
9	1	7N1190-61000	HYDRAULIC HOSE 2.0M		2						
10	2	1N1190-61010	HOSE 2.0M,HYDRAULIC		2						
11	2	1N1090-61030	ELBOW		2						
12	1	7N3506-61000	HOSE 2.0M ASSY.,HYD.						2		
13	2	1N3506-61000	HYDRAULIC HOSE 2.0M						2		
14	2	1N1090-61030	ELBOW						2		

Fig.14. PANTAGRAPH



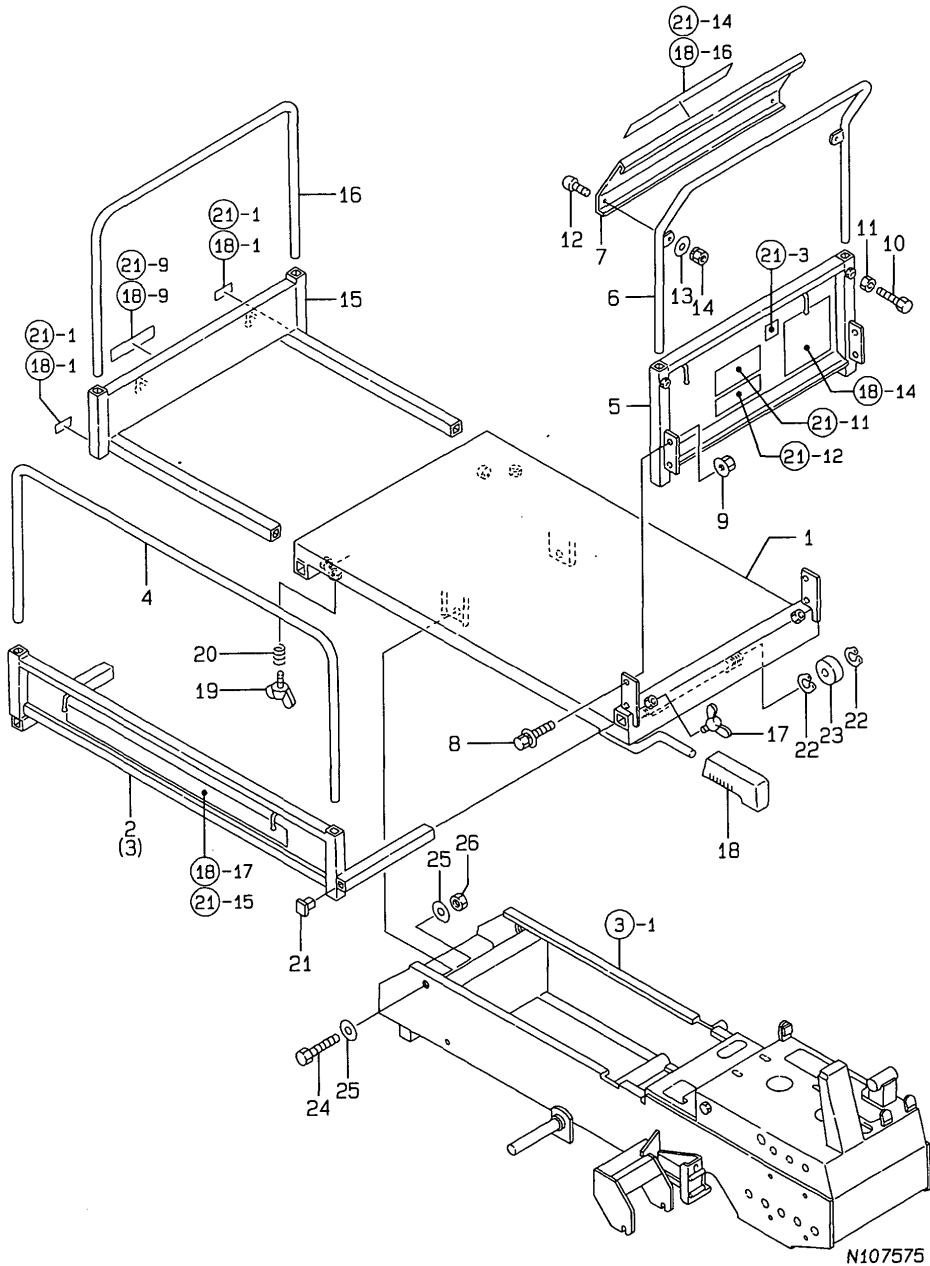
N107574

(A)=MCG95N-HST
(B)=MCG95NLD-HST
(C)=MCG95N-EHST

(D)=MCG95NLDEHST
(E)=
(F)=

No.	Lev.	Parts No.	Description	Q'ty						I	R
				(A)	(B)	(C)	(D)	(E)	(F)		
1	1	1N3506-68000	PANTOGRAPH A		1		1				
2	1	1N3506-68070	PANTOGRAPH B				1				
3	1	1N3506-68160	MLINER 2015		20		20				
4	1	24104-069040	BEARING		4		4				
5	1	22242-000200	RING, 20		8		8				
6	1	1N3506-68100	SHAFT A		2		2				
7	1	22137-160000	WASHER, 16		2		2				
8	1	26757-160002	NUT, LOCK M16		2		2				
9	1	26051-160002	NUT M16,SPRING		2		2				
10	1	1N3506-68120	SHAFT		1		1				
11	1	26018-100254	BOLT M10X 25		1		1				
12	1	22137-100000	WASHER, 10		1		1				
13	1	1N3506-68140	SHAFT C		1		1				

Fig.15. PLATFORM CARRIER



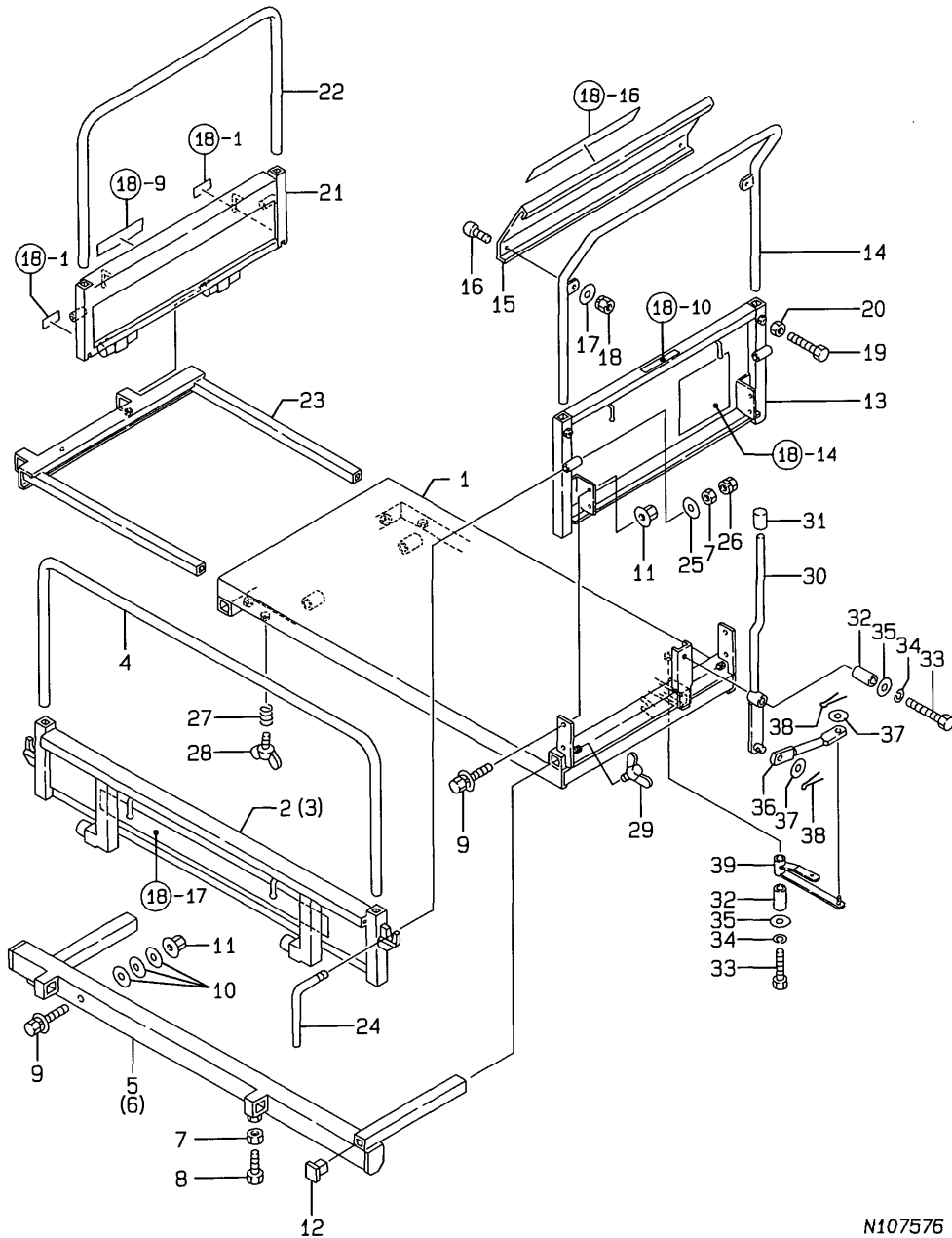
N107575

(A)=MCG95N-HST
 (B)=MCG95NLD-HST
 (C)=MCG95N-EHST

(D)=MCG95NLDEHST
 (E)=
 (F)=

No.	Lev.	Parts No.	Description	Qty						I	R
				(A)	(B)	(C)	(D)	(E)	(F)		
1	1	1N3506-64080	CARRIER	1	1						
2	1	1N3500-65002	PLATE L,SIDE	1	1						
3	1	1N3500-65012	SIDE PLATE R	1	1						
4	1	1N3500-65051	PIPE, GUIDE	2	2						
5	1	1N3506-66000	REAR PLATE	1	1						
6	1	1N3500-66060	REAR PLATE PIPE A	1	1						
7	1	1N3500-66080	PLATE C,BACK	1	1						
8	1	26018-080204	BOLT M 8X 20	4	4						
9	1	26367-080002	NUT, M8	4	4						
10	1	26117-080304	BOLT, M8X 30 PLATED	2	2						
11	1	26757-080002	NUT, LOCK M8	2	2						
12	1	26557-060162	SCREW M 6X 16	2	2						
13	1	22137-060000	WASHER, 6	2	2						
14	1	26051-060002	NUT, M6	2	2						
15	1	1N3500-66091	PLATE A,FRONT	1	1						
16	1	1N3500-66110	PIPE, GUIDE	1	1						
17	1	26647-100202	BOLT, WING M10X20	2	2						
18	1	1N1101-44000	GRIP,SIDE CLUTCH	1	1						
19	1	26647-100302	BOLT 10X30,WING	4	4						
20	1	1N1151-53020	SPRING 10.5X25,COMPR	4	4						
21	1	1N1520-53020	PLUG 25J,SQUARE OIL	4	4						
22	1	22242-000200	RING, 20	4	4						
23	1	1N3505-64270	ROLLER	2	2						
24	1	26117-160454	BOLT, M16X 45 PLATED	2	2						
25	1	22137-160000	WASHER, 16	4	4						
26	1	26757-160002	NUT, LOCK M16	2	2						

Fig.16. PLATFORM CARRIER



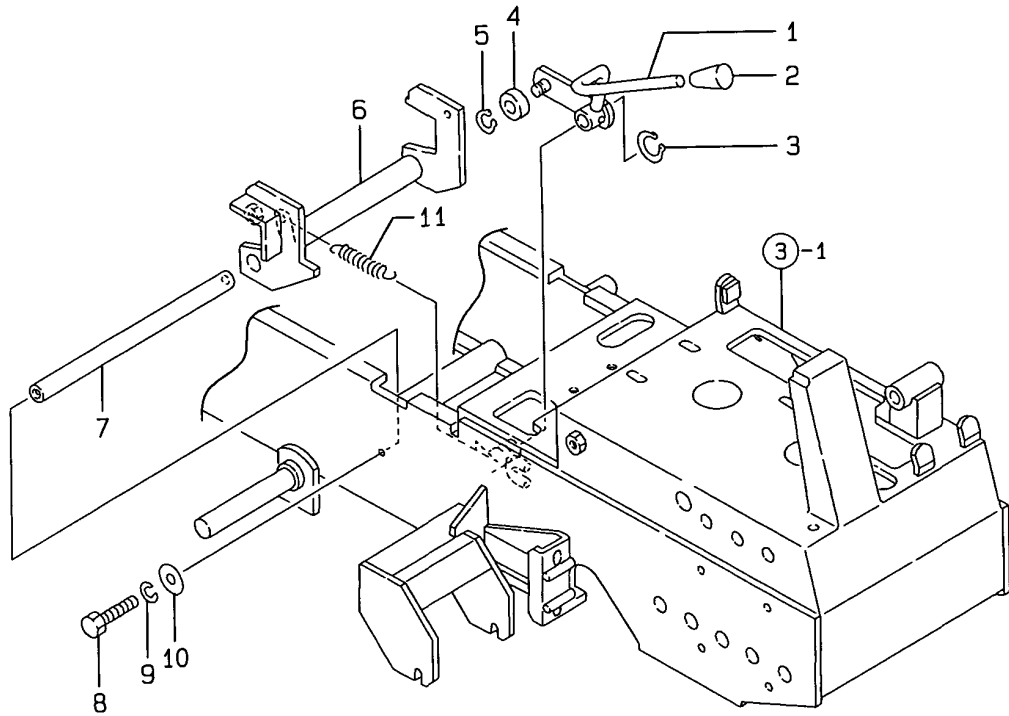
N107576

(A)=MCG95N-HST
(B)=MCG95NLD-HST
(C)=MCG95N-EHST

(D)=MCG95NLDHST
(E)=
(F)=

No.	Lev.	Parts No.	Description	Q'ty						I	R
				(A)	(B)	(C)	(D)	(E)	(F)		
1	1	1N3506-64000	CARRIER LD,PLATFORM	1			1				
2	1	1N3500-65140	SIDE PLATE D L		1		1				
3	1	1N3500-65110	SIDE PLATE D R		1		1				
4	1	1N3500-65220	SIDE PL. GUIDE PIPE		2		2				
5	1	1N3500-64490	SUB-FRAME LD L		1		1				
6	1	1N3500-64440	SUB-FRAME LD R		1		1				
7	1	26757-100002	NUT, LOCK M10		7		7				
8	1	26117-100304	BOLT M10X 30 PLATED		3		3				
9	1	26018-080204	BOLT M 8X 20		7		7				
10	1	22137-080000	WASHER, 8		9		9				
11	1	26367-080002	NUT, M8		7		7				
12	1	1N1520-53020	PLUG 25J,SQUARE OIL		2		2				
13	1	1N3500-65170	REAR PLATE LD		1		1				
14	1	1N3500-66060	REAR PLATE PIPE A		1		1				
15	1	1N3500-66080	PLATE C,BACK		1		1				
16	1	26557-060162	SCREW M 6X 16		2		2				
17	1	22137-060000	WASHER, 6		2		2				
18	1	26051-060002	NUT, M6		2		2				
19	1	26117-080304	BOLT, M8X 30 PLATED		2		2				
20	1	26757-080002	NUT, LOCK M8		2		2				
21	1	1N3500-65150	FRONT PLATE LD		1		1				
22	1	1N3500-65210	FRONT GUIDE PIPE		1		1				
23	1	1N3500-64510	SUB-FRAME LD FRONT		1		1				
24	1	1N1210-65090	HANDLE 90,SET		4		4				
25	1	22137-100000	WASHER, 10		4		4				
26	1	26051-120002	NUT, M12		4		4				
27	1	1N1151-53020	SPRING 10.5X25,COMPR		4		4				
28	1	26647-100302	BOLT 10X30,WING		4		4				
29	1	26647-100202	BOLT, WING M10X20		2		2				
30	1	1N3506-45070	LEVER, LIFT		1		1				
31	1	1N1216-44010	GRIP		1		1				
32	1	1N1210-66140	PIPE,SET HANDLE		2		2				
33	1	26117-100454	BOLT M10X 45 PLATED		2		2				
34	1	22217-100000	WASHER, SPRING 10		2		2				
35	1	22137-100000	WASHER, 10		2		2				
36	1	1N3506-45060	ROD		1		1				
37	1	22137-080000	WASHER, 8		2		2				
38	1	22417-250200	PIN, COTTER 2.5X20		2		2				
39	1	1N3506-45030	LIFT LINK		1		1				

Fig.17. DUMP CHANGE-OVER LEVER



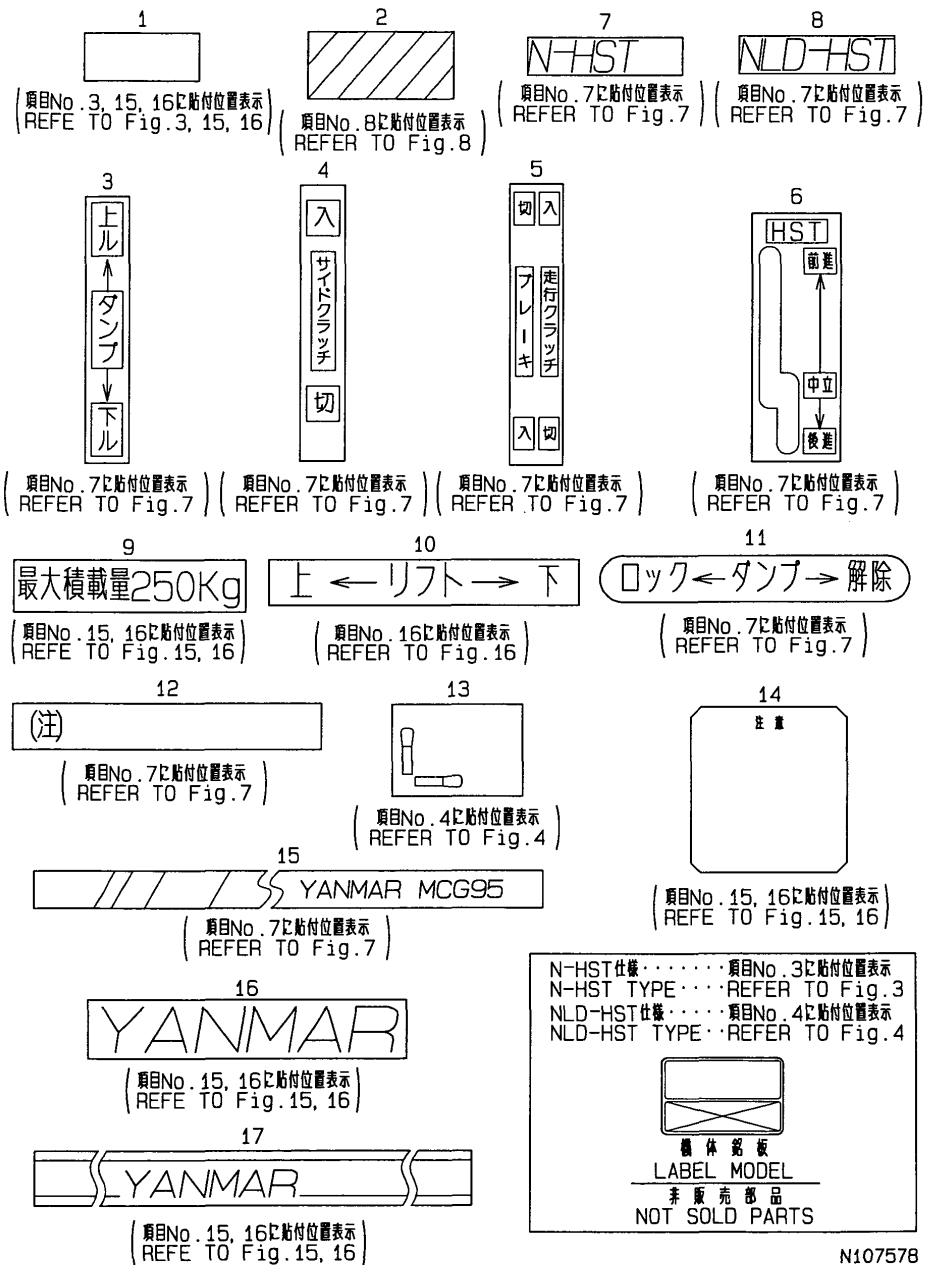
N107577

(A)=MCG95N-HST
(B)=MCG95NLD-HST
(C)=MCG95N-EHST

(D)=MCG95NLDEHST
(E)=
(F)=

No.	Lev.	Parts No.	Description	Qty						I	R
				(A)	(B)	(C)	(D)	(E)	(F)		
1	1	1N3506-45090	LEVER,DUMP CHANGEOVR	1	1	1	1				
2	1	1N1101-44030	GRIP 10,BRAKE RED	1	1	1	1				
3	1	22242-000220	RING, 22	1	1	1	1				
4	1	1N3506-45120	ROLLER	1	1	1	1				
5	1	22242-000160	RING, 16	1	1	1	1				
6	1	1N3506-45130	LINK,DUMP CHANGEOVER	1	1	1	1				
7	1	1N3506-45150	SHAFT	1	1	1	1				
8	1	26117-120304	BOLT M12X 30 PLATED	2	2	2	2				
9	1	22217-120000	WASHER, SPRING 12	2	2	2	2				
10	1	22137-120000	WASHER, 12	2	2	2	2				
11	1	1N1284-22110	PULLING SPRING23X103	1	1	1	1				

Fig.18. LABEL

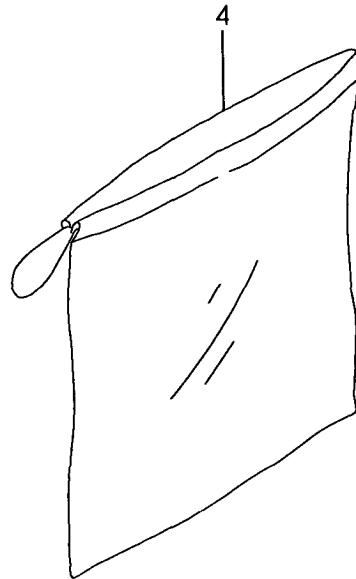
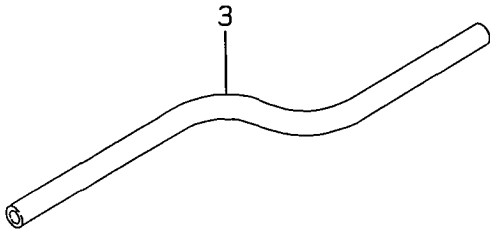
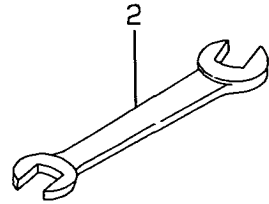
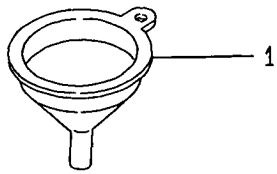


N107578

(A)=MCG95N-HST (D)=MCG95NLDHST
 (B)=MCG95NLD-HST (E)=
 (C)=MCG95N-EHST (F)=

No.	Lev.	Parts No.	Description	Qty						I	R
				(A)	(B)	(C)	(D)	(E)	(F)		
1	1	1N1070-93050	TAPE, REFLECTIVE	4	4	4	4				
2	1	1N1292-93010	PLATE, CAUTION	1	1	1	1				
3	1	1N1076-93010	LABEL, DUMP		1		1				
4	1	1N1110-93020	LABEL, SIDE CLUTCH	1	1	1	1				
5	1	1N1185-47130	LABEL, CLUTCH BRAKE	1	1	1	1				
6	1	1N3506-93090	HST NAME PLATE	1	1	1	1				
7	1	1N3506-93040	MODEL NAMER N-HST	1		1					
8	1	1N3506-93050	MODEL NAMER NLD-HST		1		1				
9	1	1N1293-93040	PLATE 250, LOADAGE	1	1	1	1				
10	1	1N3505-93030	LABEL, LIFT			1			1		
11	1	1N3505-93100	LABEL, LOCK	1		1					
12	1	1N3506-93080	CAUTION NAMER	1	1	1	1				
13	1	1N3500-93110	PLATE, DUMP CHANGEOVR		1		1				
14	1	1N1480-93080	NAMER D, HANDLING	1	1	1	1				
15	1	1N3500-93000	NAMER MCG95, MAIN	1	1	1	1				
16	1	1N1313-93030	NAMER, SIDE	1	1	1	1				
17	1	1N1277-93020	STICKER A, SIDE	2	2	2	2				

Fig.19. TOOLS & ACCESSORIES



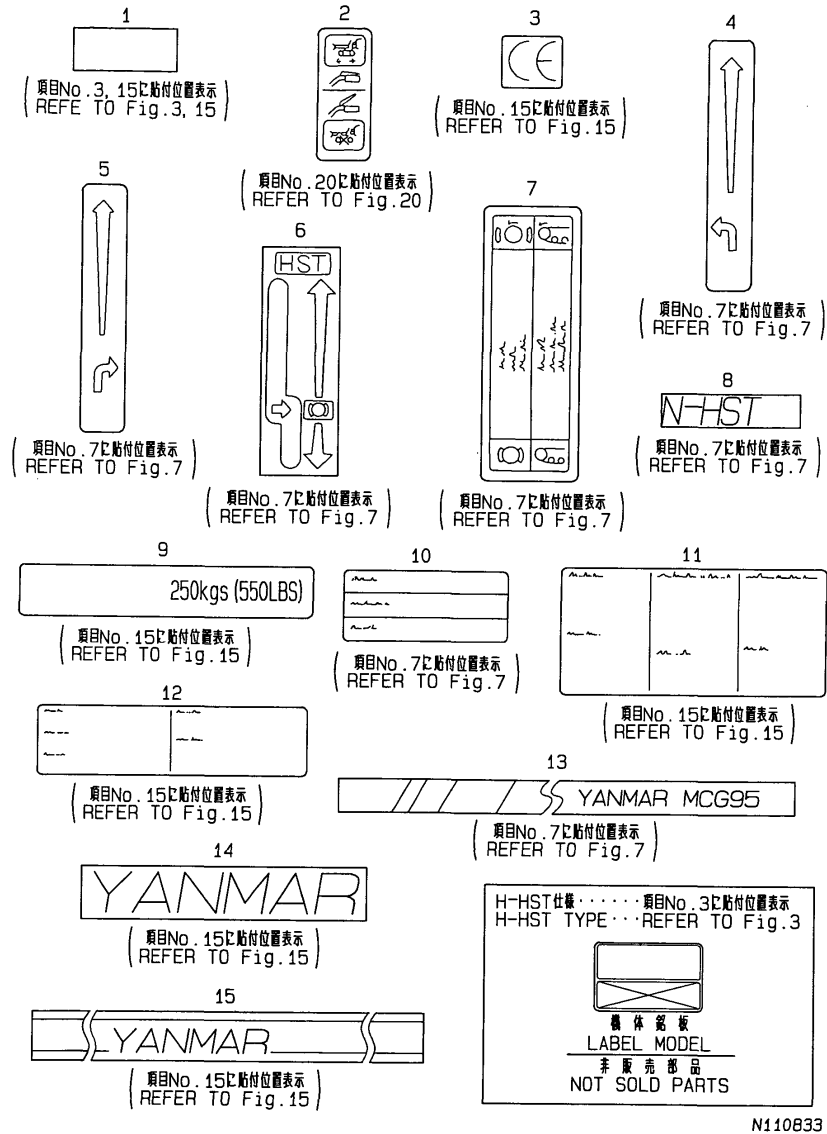
N107579

(A)=MCG95N-HST
(B)=MCG95NLD-HST
(C)=MCG95N-EHST

(D)=MCG95NLDEHST
(E)=
(F)=

No.	Lev.	Parts No.	Description	Q'ty						I	R
				(A)	(B)	(C)	(D)	(E)	(F)		
1	1	1N1070-91010	FUNNEL	1	1	1	1				
2	1	1N1070-91050	WRENCH 17X19	1	1	1	1				
3	1	1N1070-91020	HOSE	1	1	1	1				
4	1	1N1070-91090	BAG,TOOL	1	1	1	1				

Fig.21. LABEL(2)(ADD.ITEM



(A)=MCG95N-HST (D)=MCG95NLDEHST
(B)=MCG95NLD-HST (E)=
(C)=MCG95N-EHST (F)=

No.	Lev.	Parts No.	Description	Q'ty						I	R
				(A)	(B)	(C)	(D)	(E)	(F)		
1	1	1N1070-93050	TAPE, REFLECTIVE	4	4						
2	1	1N3507-93050	DECAL, HYD. CONTROL			1					2
3	1	1N3507-93060	DECAL, HYD. CONTROL			1					2
4	1	1N1362-93200	LABEL, PQ-15	1	1						
5	1	1N1362-93190	LABEL, PQ-14	1	1						
6	1	1N3507-93070	DECAL, HYD. CONTROL	1	1						
7	1	1N1362-93250	LABEL, PQ-20	1							1
8	1	1N3506-93040	MODEL Namer N-HST	1	1						
9	1	1N1362-93100	LABEL, PQ-5	1	1						
10	1	1N3507-93080	DECAL, HYD. CONTROL	1	1						
11	1	1N1362-93140	LABEL, PQ-9	1	1						
12	1	1N3507-93090	DECAL, HYD. CONTROL	1	1						
13	1	1N3500-93000	NAMER MCG95, MAIN	1	1						
14	1	1N1313-93030	NAMER, SIDE	1	1						
15	1	1N1277-93020	STICKER A, SIDE	2	2						

Remarks
 (1)(EXPORT)EXCLUSIVE PART FOR
 MCG95N-HST-PQ
 (2)(EXPORT)EXCLUSIVE PART FOR
 MCG95N-EHST-PQR

Parts No. Index

Parts No.	Fig. No.	Ref. No.
1A1470-40900	7	12
1E1107-61020	13	1
1N1070-91010	19	1
1N1070-91020	19	3
1N1070-91050	19	2
1N1070-91090	19	4
1N1070-93050	18	1
	21	1
1N1076-93010	18	3
1N1090-61030	13	11
		14
1N1091-36000	6	8
1N1101-44000	15	18
1N1101-44010	11	3
1N1101-44030	8	2
	17	2
1N1110-93020	18	4
1N1142-45080	10	16
1N1151-53000	8	4
1N1151-53020	15	20
	16	27
1N1185-42120	2	8
1N1185-47130	18	5
1N1190-45000	9	9
1N1190-61010	13	10
1N1210-16060	2	11
	5	6
	12	6
1N1210-53000	9	9 -1
1N1210-53030	8	10
1N1210-65090	16	24
1N1210-66140	16	32
1N1215-51000	11	5
	12	16
1N1215-61001	13	5
1N1216-44010	12	13
	16	31
1N1240-42050	8	7
1N1277-42300	7	9
1N1277-42320	7	8
1N1277-51010	7	15
1N1277-61000	13	8
1N1277-61020	12	1 A
1N1277-61031	12	1 C
1N1277-93020	18	17
	21	15
1N1284-22110	17	11
1N1285-61000	12	14
1N1291-22020	2	4
		17

Parts No.	Fig. No.	Ref. No.
1N1291-35000	6	16
1N1291-51031	7	16
1N1292-93010	18	2
1N1293-93040	18	9
1N1296-35000	6	17
1N1296-37000	5	10
1N1313-93030	18	16
	21	14
1N1360-22090	8	11
	10	20
1N1362-93100	21	9
1N1362-93140	21	11
1N1362-93190	21	5
1N1362-93200	21	4
1N1362-93250	21	7
1N1366-42080	8	15
1N1366-42170	8	5
1N1368-51000	7	11
1N1386-21000	12	2
1N1430-22070	1	2
1N1480-42170	8	13
1N1480-93080	18	14
1N1520-53020	15	21
	16	12
1N1723-31360	20	1
1N3500-64440	16	6
1N3500-64490	16	5
1N3500-64510	16	23
1N3500-65002	15	2
1N3500-65012	15	3
1N3500-65051	15	4
1N3500-65110	16	3
1N3500-65140	16	2
1N3500-65150	16	21
1N3500-65170	16	13
1N3500-65210	16	22
1N3500-65220	16	4
1N3500-66060	15	6
	16	14
1N3500-66080	15	7
	16	15
1N3500-66091	15	15
1N3500-66110	15	16
1N3500-93000	18	15
	21	13
1N3500-93110	18	13
1N3501-35020	6	4
1N3501-35030	6	20
1N3501-36000	6	3
1N3501-52000	7	14

Parts No.	Fig. No.	Ref. No.
1N3502-21000	2	1 -1
1N3502-21020	2	8 -1
1N3502-42140	9	5
1N3505-45050	12	15
1N3505-64270	15	23
1N3505-93030	18	10
1N3505-93100	18	11
1N3506-21000	2	1
1N3506-21010	2	9
1N3506-21040	2	16
1N3506-22000	1	1
1N3506-22001	1	1 -1
1N3506-31000	4	1
1N3506-31001	4	1 -1
1N3506-31320	3	1
1N3506-31321	3	1 -1
1N3506-31430	6	23
1N3506-33000	6	11
1N3506-33030	5	11
1N3506-35020	5	9
1N3506-35030	5	3
1N3506-37000	5	10 -1
1N3506-41000	10	1
1N3506-41020	10	3
1N3506-41040	11	2
1N3506-41090	10	14
1N3506-41100	10	13
1N3506-41110	10	17
1N3506-41140	10	8
1N3506-41150	10	9
1N3506-41160	10	2
1N3506-41170	10	5
1N3506-41180	10	10
1N3506-41190	10	15
1N3506-41200	10	19
1N3506-41210	10	17 -1
1N3506-42000	8	1
1N3506-42010	8	3
1N3506-42040	9	1
1N3506-42070	9	6
1N3506-42080	20	2
1N3506-42100	8	14
1N3506-42120	20	9
1N3506-42130	9	1 -1
1N3506-42150	8	1 -1
1N3506-42160	10	20 -1
1N3506-44000	11	4
1N3506-44010	11	1
1N3506-45000	12	12
1N3506-45030	16	39

Parts No.	Fig. No.	Ref. No.
1N3506-45060	16	36
1N3506-45070	16	30
1N3506-45090	17	1
1N3506-45120	17	4
1N3506-45130	17	6
1N3506-45150	17	7
1N3506-54000	3	4
	4	4
1N3506-54020	3	6
	4	6
1N3506-54030	3	7
	4	7
1N3506-58000	7	1
1N3506-58040	7	3
1N3506-58070	4	9
1N3506-58110	7	6
1N3506-58120	3	9
1N3506-58140	3	2
	4	2
1N3506-58160	7	17
1N3506-58180	4	9 -1
1N3506-58210	3	9 -1
1N3506-58230	7	18
1N3506-61000	13	13
1N3506-64000	16	1
1N3506-64080	15	1
1N3506-66000	15	5
1N3506-68000	14	1
1N3506-68070	14	2
1N3506-68100	14	6
1N3506-68120	14	10
1N3506-68140	14	13
1N3506-68160	14	3
1N3506-93040	18	7
	21	8
1N3506-93050	18	8
1N3506-93080	18	12
1N3506-93090	18	6
1N3507-21010	2	9 -1
1N3507-41000	11	2 -1
1N3507-58000	7	3 -1
1N3507-93050	21	2
1N3507-93060	21	3
1N3507-93070	21	6
1N3507-93080	21	10
1N3507-93090	21	12
22137-060000	2	14
	9	7
	11	6
	15	13

Parts No. Index

Parts No.	Fig. No.	Ref. No.
22137-060000	16	17
22137-080000	2	6
	6	24
	8	8
	9	2
	10	22
	16	10
		37
	20	4
22137-100000	6	18
	10	4
	14	12
	16	25
		35
22137-120000	5	14
	6	9
	17	10
22137-160000	14	7
	15	25
22137-180000	13	6
22137-200000	6	15
22217-100000	5	7
	12	5
	16	34
22217-120000	5	13
	17	9
22217-200000	6	14
22242-000150	1	3
22242-000160	17	5
22242-000170	6	6
22242-000200	1	6
	14	5
	15	22
22242-000220	17	3
22252-000350	1	5
22351-050030	10	18
22360-060000	11	7
22360-080000	8	9
	9	3
	20	10
22417-200160	9	8
	11	8
	12	17
22417-250200	16	38
22417-250250	6	19
22417-400250	13	7
22550-050180	12	7
22550-050250	2	10
24101-060024	6	5
24101-060054	5	4

Parts No.	Fig. No.	Ref. No.
24104-062024	1	4
24104-069040	14	4
24321-001200	12	1 B
24421-153206	6	7
24421-304708	5	5
24761-010000	6	12
24764-020000	1	7
25123-002201	12	3
25123-003401	2	2
26014-060259	7	10
26016-060404	2	12
26018-060164	3	8
	4	8
26018-080164	2	3
		18
	7	4
26018-080204	3	3
	4	3
	7	7
	12	8
	15	8
	16	9
	20	7
26018-100254	7	2
	8	6
	14	11
26018-100304	3	5
	4	5
26051-060002	2	15
	15	14
	16	18
26051-080002	2	7
	6	25
	7	13
	9	11
	10	12
26051-100002	6	21
	12	10
26051-120002	6	10
	16	26
26051-160002	14	9
26116-080452	2	5
	9	10
26117-080304	15	10
	16	19
26117-080552	20	3
26117-100250	5	8
26117-100254	12	4
26117-100304	10	23
	16	8

Parts No.	Fig. No.	Ref. No.
26117-100404	10	7
26117-100454	16	33
26117-100704	12	9
26117-120304	5	12
	17	8
26117-121304	5	15
26117-160454	15	24
26117-200604	6	13
26347-080002	20	5
26367-080002	7	5
	15	9
	16	11
	20	8
26557-060162	2	13
	15	12
	16	16
26647-100202	15	17
	16	29
26647-100302	15	19
	16	28
26717-080002	10	11
26717-100002	12	11
26757-080002	8	12
	9	4
	10	21
	15	11
	16	20
	20	6
26757-100002	6	22
	10	6
	16	7
26757-120002	5	16
26757-160002	14	8
	15	26
7N1190-61000	13	9
7N1277-61000	12	1
7N3501-36000	6	2
7N3501-36010	6	1
7N3506-35000	5	2
7N3506-35010	5	1
7N3506-61000	13	12

Parts No.	Fig. No.	Ref. No.
-----------	----------	----------